

Trading Logistic

YOUR CONTAINER SOLUTIONS

Trading Logistic

Via Ripa, Loc. Fornola
19020 - Vezzano Ligure (SP)

TEL +39 0187 503784 | FAX +39 0187 515303

email: info@tradinglogistic.com
sito internet: www.tradinglogistic.com



Trading Logistic è un'azienda leader nella vendita o noleggio di container nuovi ed usati, riparazioni, trasformazioni e modifiche strutturali.

Ricambistica, vernici, pitturazioni industriali, centine di qualunque misura e servizio tinitometrico, Kit Adesivi, manuali tecnici, biglietti da visita, poster, vetrofanie, banner, etichette IMO, adesivi prespaziati sono soltanto una piccola parte dei servizi che vengono offerti alla clientela.

Alla parte operativa, dal 2017, si è aggiunto un nuovo service di stampa e grafica digitale a 360° in grado di offrire ampie soluzioni di personalizzazione che vanno dalla stampa su carta o qualsiasi supporto (pvc - dibond-alveolare - plexiglass) all'abbigliamento antinfortunistico.

Trading Logistic has been operating in the marine container industry for 25 years and plays a leading role in container sale, lease, modification and in the supply of any container spare part, paints and decals.

In addition to above mentioned activities, **Trading Logistic** deals in the sale of safety clothing and apparel and in 2017 it has launched a new digital printing service that offers several customizable solutions ranging from print on paper to any surface such as plexyglass, dibond aluminium composite panels. pvc et cetera.

Adhesive kits, book documentation, business cards, posters, banners, warning and safety labels, pre-spaced stickers, are just a portion of what **Trading Logistic** can offer.



YOUR CONTAINER SOLUTIONS

- GENOVA
- SAVONA
- ALESSANDRIA
- TORINO

- PARMA
- PIACENZA
- MILANO

- LIVORNO
- GROSSETO



TRADING LOGISTIC



A15 FORNOLA
VEZZANO LIGURE



LA SPEZIA

LSCT MOLO
FORNELLI

LSCT MOLO
ANGELO RAVAND



www.tradinglogistic.com

01

RICAMBI CONTAINER SPARE PARTS



Accessori in ferro

Steel parts

pag

Pannello grecato tetto	Roof panel	16
Pannello grecato laterale	Side panel	16
Pannello grecato fronte	Front end panel	16
Pannello grecato porta	Door panel	16
Montante fronte	Front corner post	17
Montante porta	Rear corner post	18
Traversa fondo	Cross member	19
Longherone inferiore	Bottom side rail	20
Longherone superiore	Top side rail	21
Traversa inferiore porta	Doors sill	22
Piastra superiore fronte	Top end rail	23
Traversa superiore fronta	Door header	24
Traversa porta	Door rail	25
Omega	Floor space	26
Angolare	Angle	27
Gruppo d'angolo	Corner casting	28
Ferma guarnizione porta	Gasket retainer strip	28
Longherone tunnel	Gooseneck cross rail	29
Tasca	Forklift pocket	30



Accessori porta	Door locking	pag
Arpione sx/dx	Cam LH/RH	32
Ingancio DX/SX	Keeper LH/RH	32
Staffa estremità imbullonabile	Bearing bracket large	32
Staffa intermedia imbullonabile	Bearing bracket small	33
Maniglie porta	Doorhandles	33
Nottolino	Retainer catch	34
Staffa arresto maniglia	Retainer plate	34
Boccola	Bush	35
Forcella maniglia	Handle hub	35
Cerniera	Hinge	35
Accessori cerniera	Hinge accessory	36
Cardine	Hinge lung	36
Plastica per staffa intermedia imbullonabile	Short split bush	37
Plastica per staffa estremità imbullonabile	Large split bush	37
Chiodo-ghiera	Rivet-anti rack ring	38
Accessori Flat rack	Flat rack parts	pag
Piede montante flat	Inner hinge	39
Montante flat	Outer hinge	39
Cuneo ferma sponda	Taper pin	39
Martello di chiusura	Locking hammer	40
Chiusura twist	Twistlocks	40
Molla	Spring	41
Accessori vari	Miscellaneous	pag
Ventilatore	Ventilator	41
Guarnizione porta	Door gasket	42
Pannelli pavimento	Plywood flooring	43
Teloni	Tarpaulins	45
Cavi TIR	T.I.R. Ropes	45
Centine	Roof bows	46
Adesivi	Decals	47
Targa CSC	CSC Plate	47
Vernici	Paints	48
Silicone	Sealant	48
Flexytank	Flexytank	49
Isokit	Isokit	49
Minuteria	Rivets, screws, etc..	50
Sigilli container	Container seals	51
Abbigliamento antinfortunistica	Safety clothing	52

CONTAINER MARITTIMO

SHIPPING CONTAINER

||| 02



Container marittimo

Flat rack
Container box
Container open top
Mini container
Container open side
Container bulk
Container mezza altezza
40' open top trasformato
40' open top HC trasformato
Container rifiuti mezza altezza

Dry cargo container

Flat rack	55
Dry cargo container	56
Open top container	57
Mini container	58
Full open container	59
Bulk container	60
Half height bulk container	61
40' converted open top	62
40' converted open top HC	63
Half height bin container	64

||| 03 CONTAINER SPECIALE SPECIALIZED CONTAINER



Container speciale

Container per gruppi elettrogeni
 Container per compressori
 Container a parete scorrevole
 Container frigorifero
 Container off shore
 Container doppia porta

Specialized container

Generator container 67
 Air compressor container 68
 Sliding open container 69
 Refrigerated container 70
 Off shore container 71
 Double door container 72

CONTAINER ABITATIVI MODULAR BUILDINGS

||| 04



Container abitativi

Container abitativo
 Container ad uso sanitario
 Container bar

Modular buildings

Container house 75
 Container toilet 76
 Container cafe 77

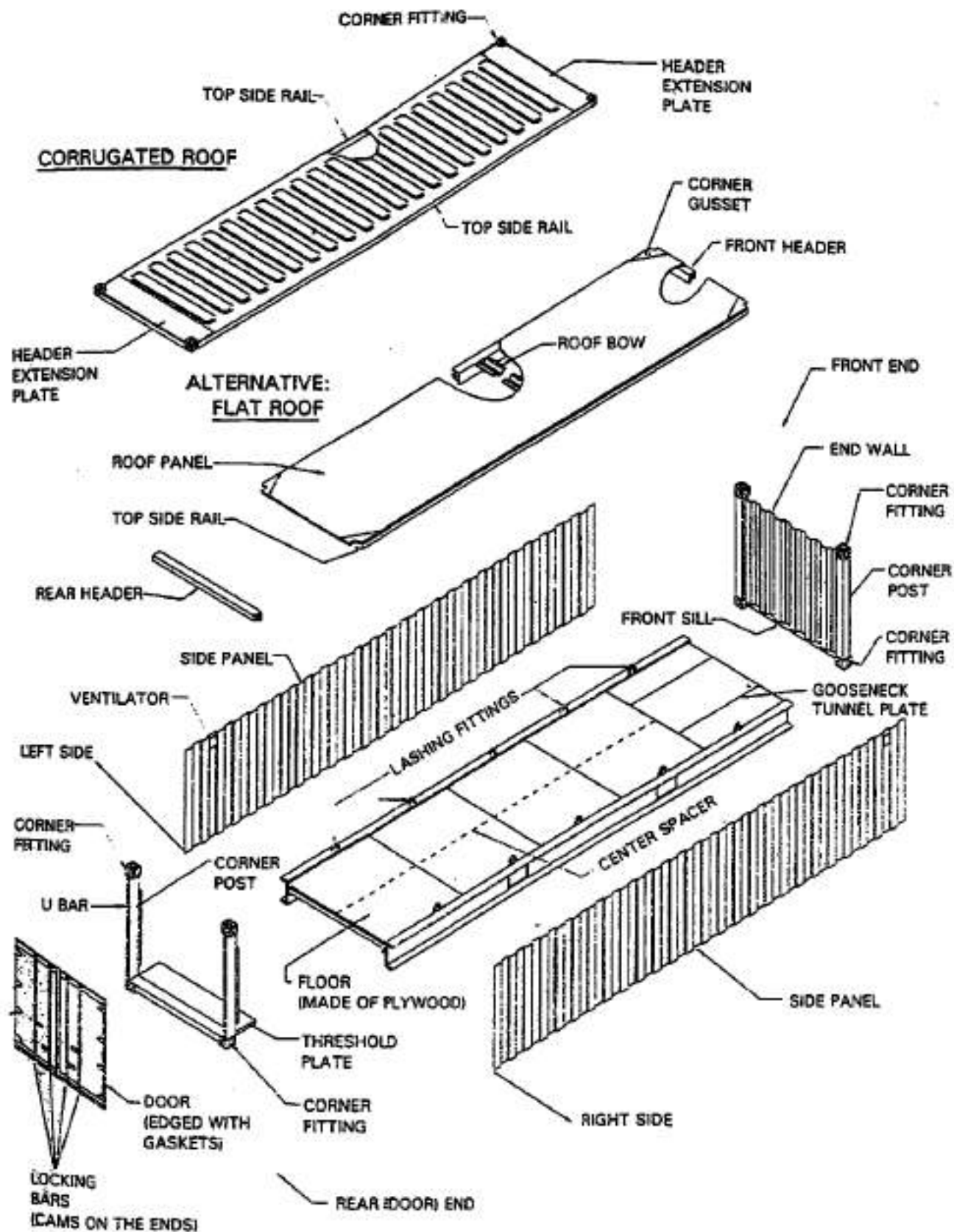
11101

**RICAMBI
SPARE PARTS**

01

RICAMBI CONTAINER
SPARE PARTS

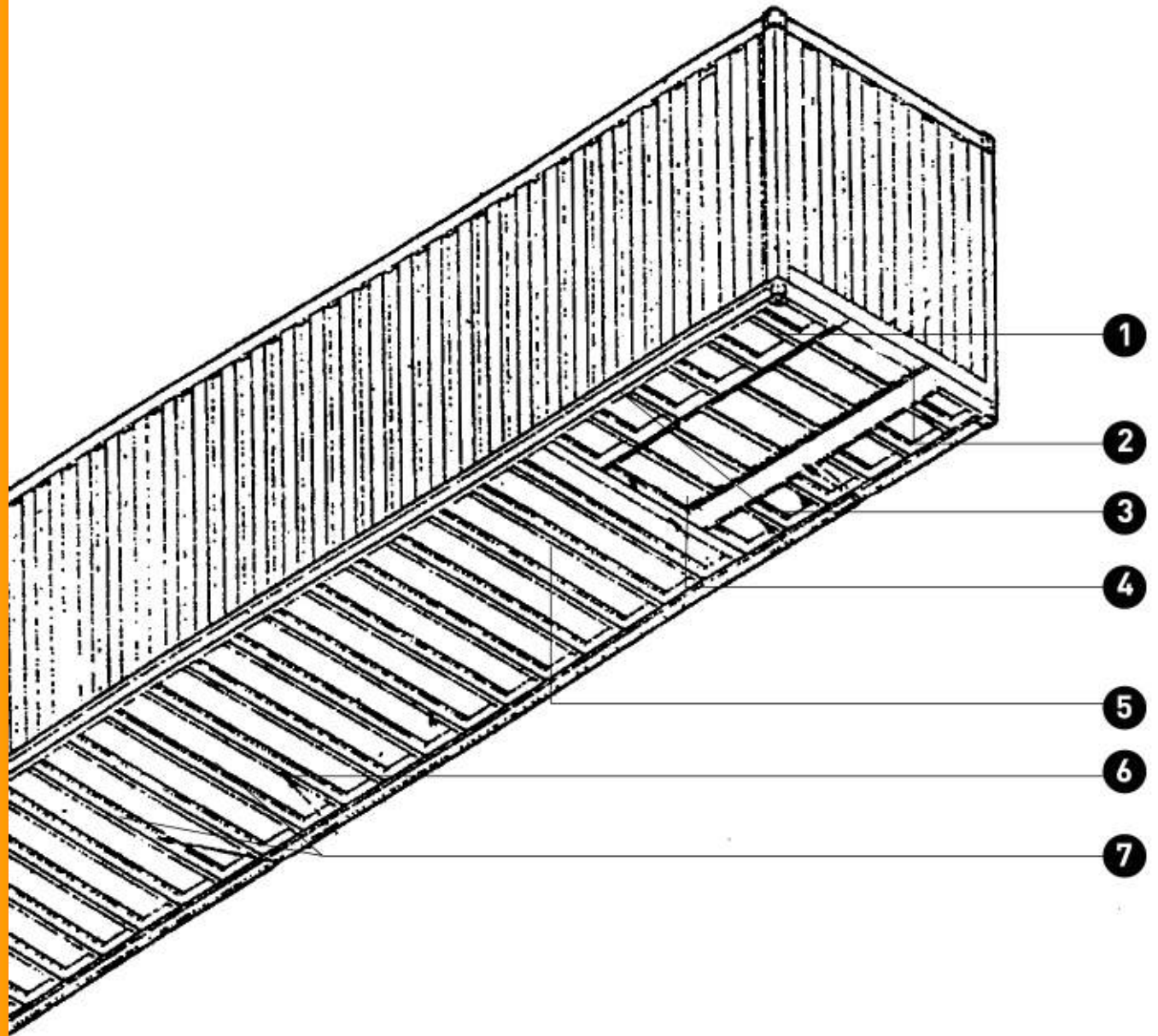
Componenti container
Container parts



01

RICAMBI CONTAINER
SPARE PARTS

Componenti container
Container parts



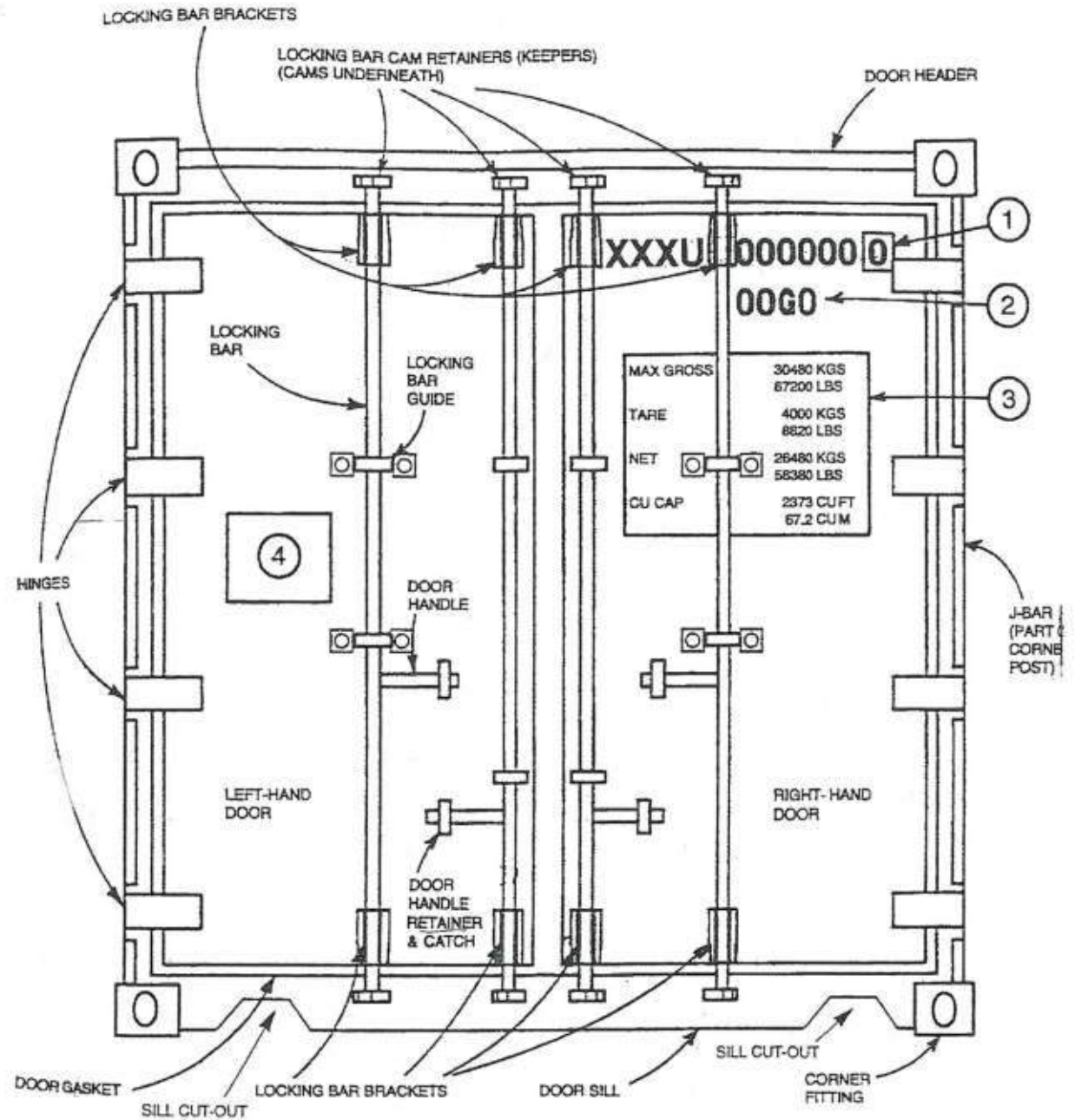
- 1. TUNNEL STIFFENERS
- 2. FRONT SILL
- 3. TUNNEL RAILS
- 4. OUTRIGGERS

- 5. TUNNEL BOLSTER
- 6. TUNNEL PLATE
- 7. CROSSMEMBERS

01

RICAMBI CONTAINER
SPARE PARTS

Componenti container
Container parts



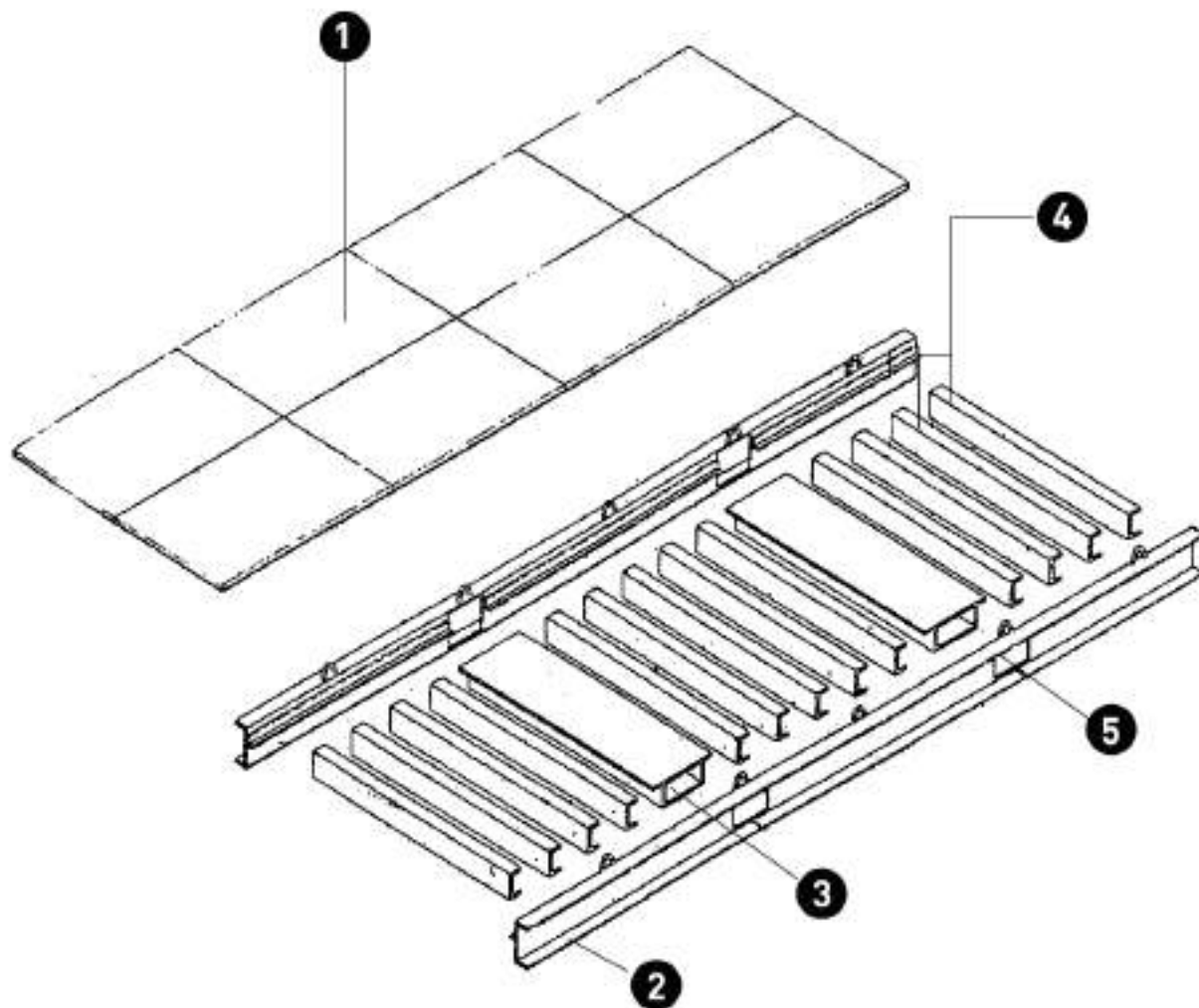
ISO DOOR MARKINGS:

- ① OWNER'S PREFIX AND SERIAL NUMBER
(INCLUDING CHECK DIGIT)
- ② SIZE AND TYPE CODE
- ③ WEIGHT PANEL
- ④ CONSOLIDATED DATA PLATE
(CSC PLATE, CUSTOMS PLATE, ETC.) - OPTIONAL LOCATION

01

RICAMBI CONTAINER
SPARE PARTS

Componenti container
Container parts



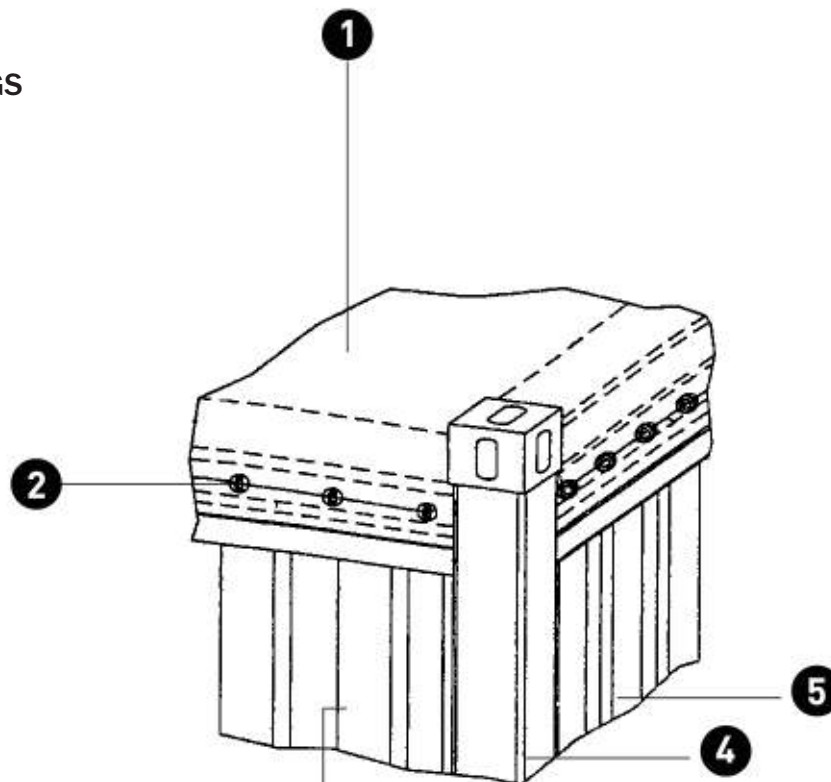
1. PLYWOOD FLOOR
2. BOTTOM SIDE RAIL
3. FORKLIFT POCKET STRAPS
4. CROSS MEMBERS
5. FORKLIFT POCKETS

01

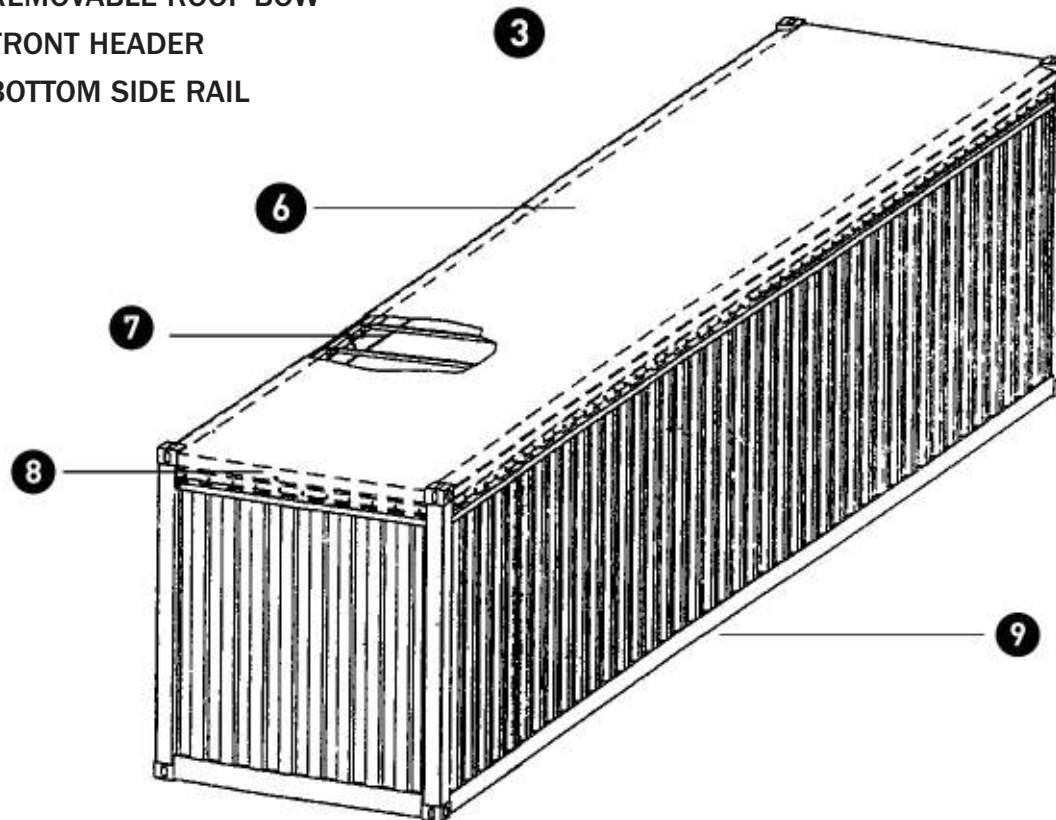
RICAMBI CONTAINER
SPARE PARTS

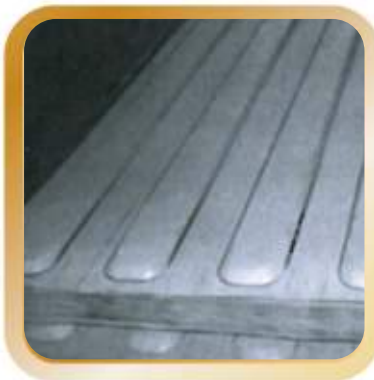
Componenti container
Container parts

1. TARPAULIN
2. TIR CORD RINGS
3. END WALL
4. CORNER POST
5. SIDE PANEL



6. TARPAULIN
7. REMOVABLE ROOF BOW
8. FRONT HEADER
9. BOTTOM SIDE RAIL





PANNELLO GRECATO TETTO ROOF PANEL

Model	
Spec	t 2.0x1045x2356 - (or thickness 1.6)
Material	Steel
Code	TL001



PANNELLO GRECATO LATERALE SIDE PANEL

Model	Standard
Spec	t1.6(2.0)x1116xL
Material	Steel
Code	TL002



PANNELLO GRECATO FRONTE FRONT END PANEL

Model	Standard
Spec	t1.6X1024xL
Material	Steel
Code	TL003



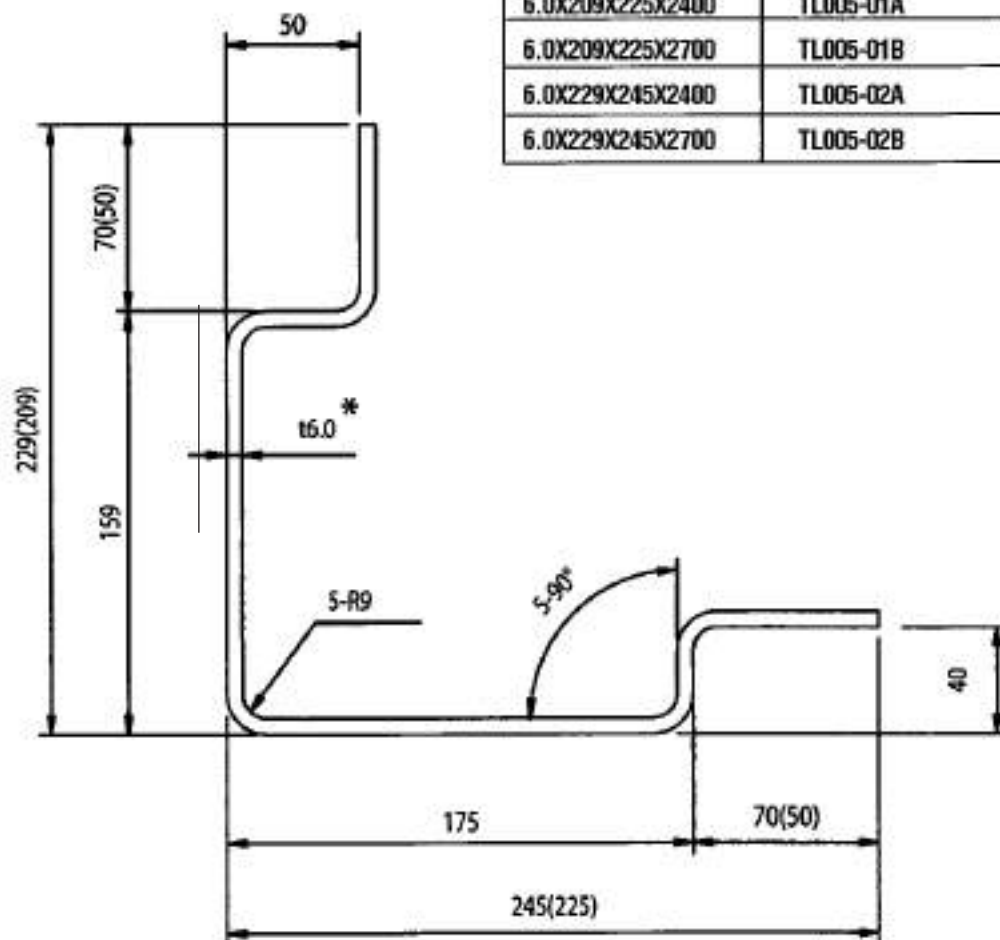
PANNELLO GRECATO PORTA DOOR PANEL

Model	Standard
Spec	t2.0x943xL
Material	Steel
Code	TL004

01

RICAMBI CONTAINER
SPARE PARTS

Accessori in ferro
Steel Parts



SPEC	PART NO.
6.0X209X225X2400	TL005-01A
6.0X209X225X2700	TL005-01B
6.0X229X245X2400	TL005-02A
6.0X229X245X2700	TL005-02B

MONTANTE FRONTE FRONT CORNER POST

Model	Standard or high cube
Spec	T=6.0 L=2400 (2700)
Material	Steel
Code	TL005

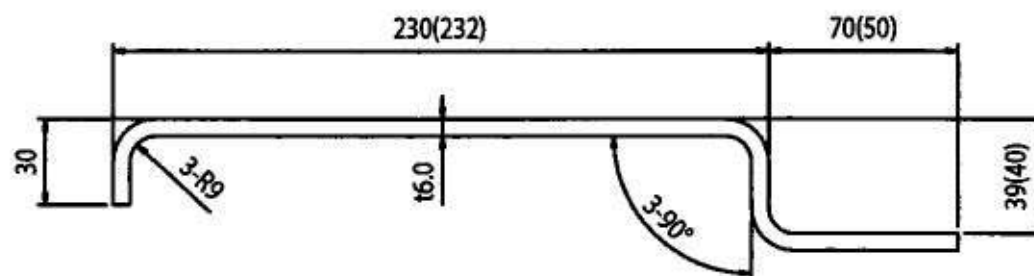


01

RICAMBI CONTAINER
SPARE PARTS

Accessori in ferro
Steel Parts

SPEC	PART NO.
6.0X50X40X232X2400	TL006-01A
6.0X50X40X232X2700	TL006-01B
6.0X70X39X230X2400	TL006-02A
6.0X70X39X230X2700	TL006-02B



MONTANTE PORTA REAR CORNER POST

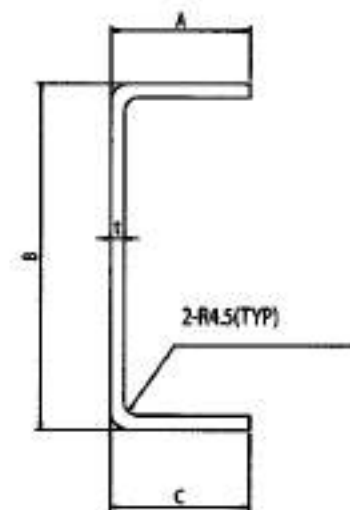
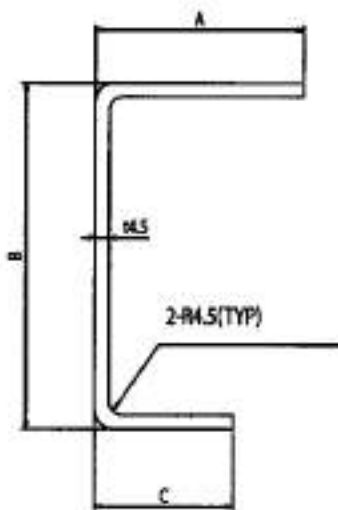
Model Standard or high cube

Material Steel

Code TL006-001/002



50	120	50	4.5X50X120X50X2400	TL007-02F
45	122	80	4.0X45X122X80X2400	TL007-03A

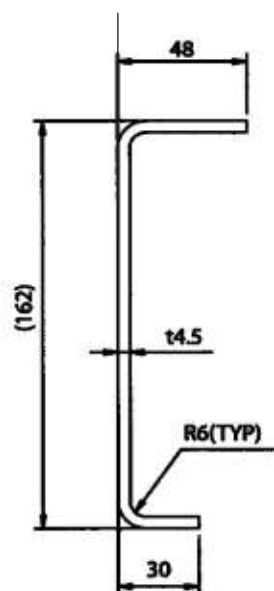


TRAVERSA FONDO CROSS MEMBER

Model	Standard
Spec	4.0 X
Material	Steel
Code	TL007-01/02/03



SPEC	PART No.
4.5X48X162X30X5702	TL008-01C
4.5X50X162X30X5702	TL008-01D
4.5X50X155X30X5702	TL008-02



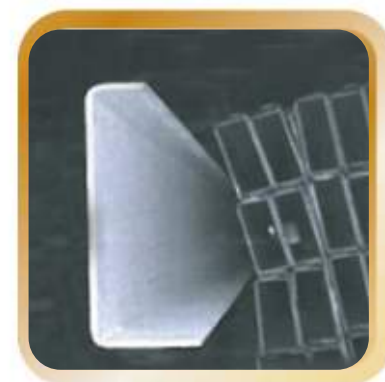
TL008-01



TL008-02

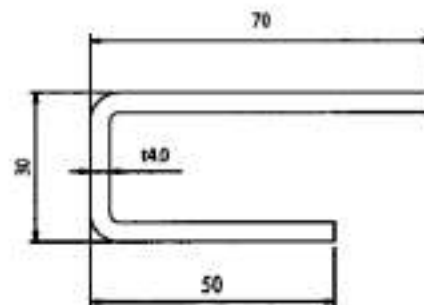
LONGHERONE INFERIORE BOTTOM SIDE RAIL

Model	Standard
Spec	T=4.5 L=5702
Material	Steel
Code	TL008-01/02



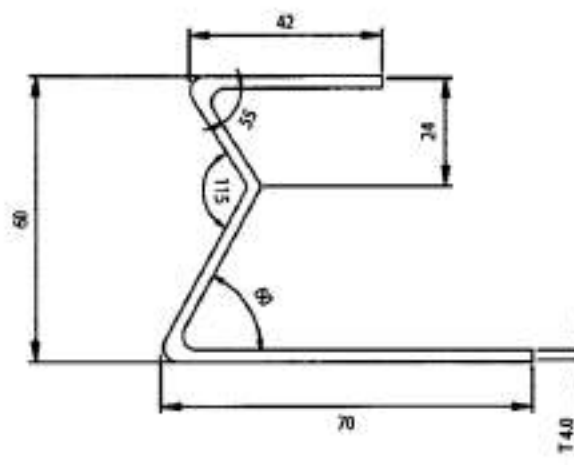
TL009-03U

"U" Type



TL009-03W

"W" Type

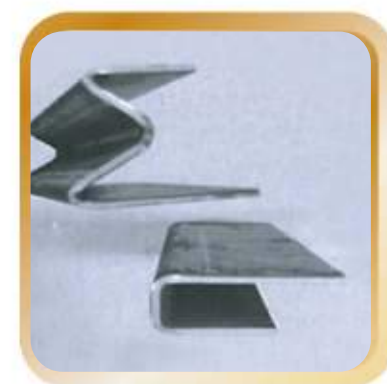


LONGHERONE SUPERIORE TOP SIDE RAIL

Spec T=4.0 L=2400

Material Steel

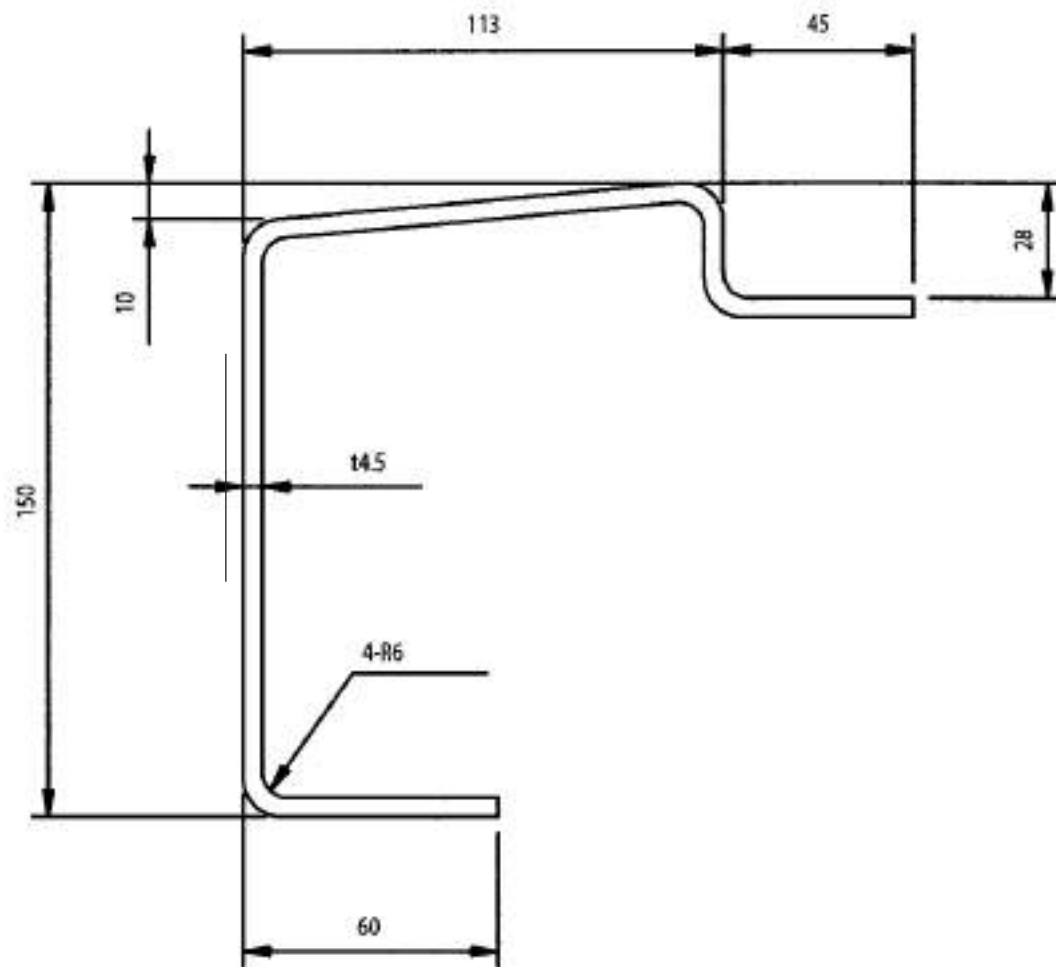
Code TL009



01

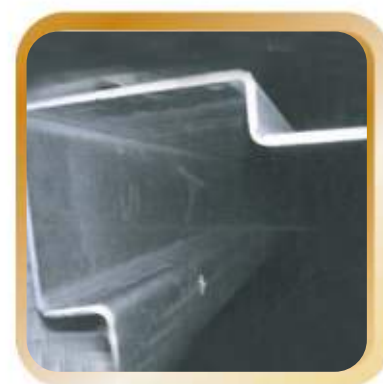
RICAMBI CONTAINER
SPARE PARTS

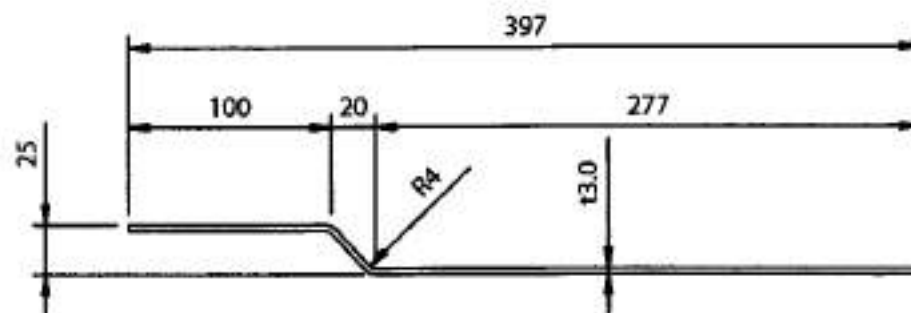
Accessori in ferro
Steel Parts



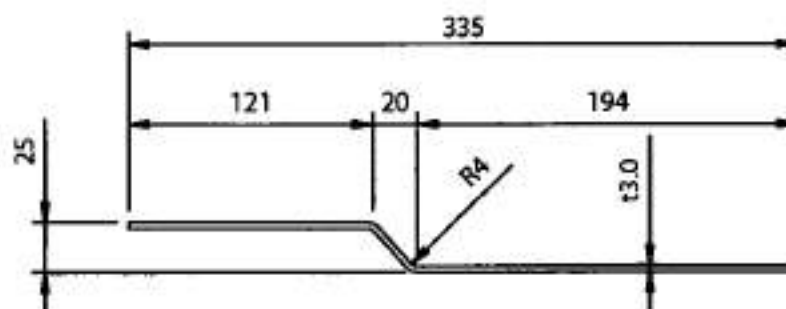
TRAVERSA INFERIORE PORTA DOOR SILL

Model	Standard
Spec	4.5X158X150X2400
Material	Steel
Code	TL010





TL012-01



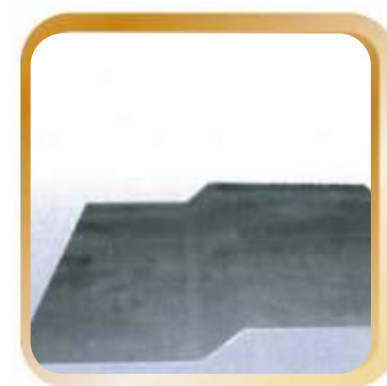
TL012-02

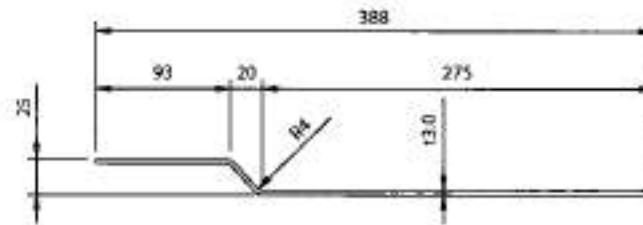
PIASTRA SUPERIORE FRONTE TOP END RAIL

Spec T=3.0 L=2400

Material Steel

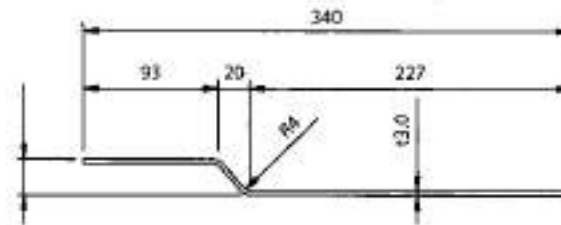
Code TL012-01-02





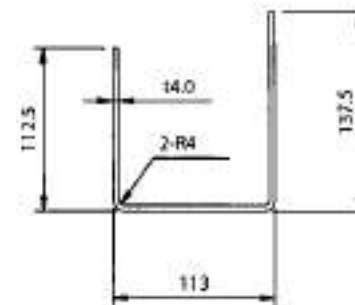
TL013-01

Traversa porta superiore / Door Header Upper



TL013-02

Traversa porta superiore / Door Header Upper

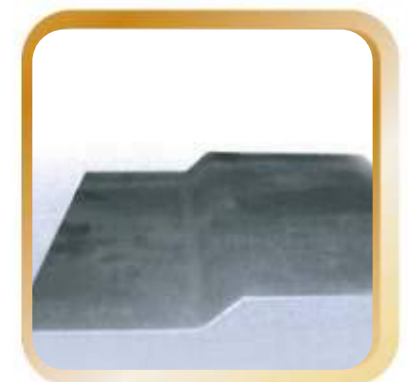


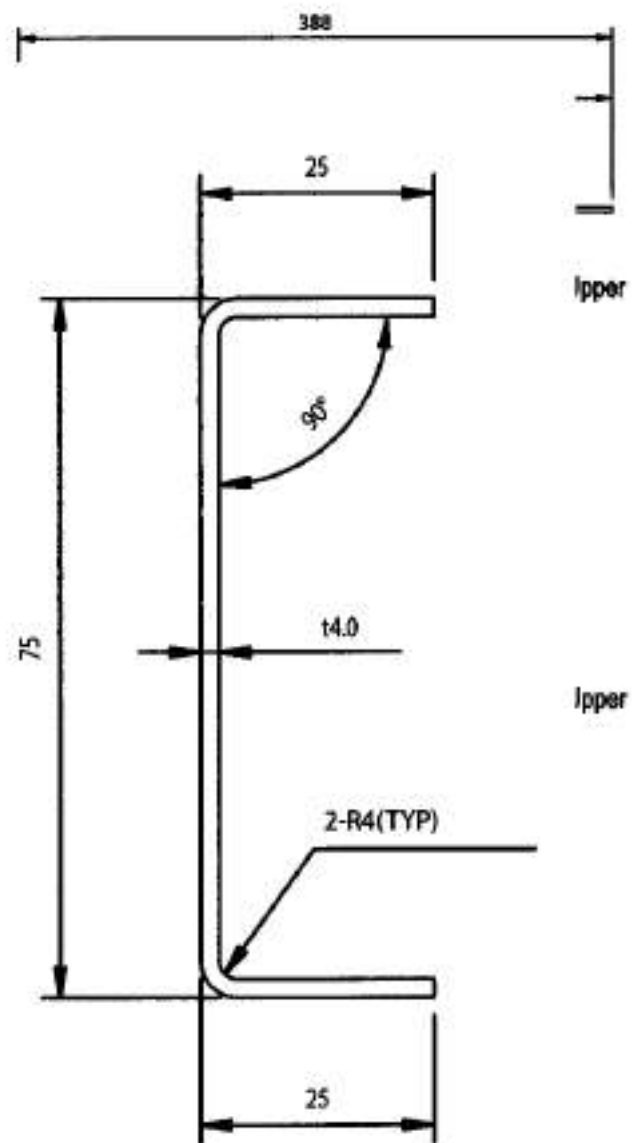
TL013-03

Traversa porta inferiore / Door Header Lower

TRAVERSA SUP/INF PORTA DOOR HEADER UPPER/LOWER

Model	Standard
Spec	T=3.0 L=2400
Material	Steel
Code	TL013-01-02-03





TL014 Door Header Lower

TRAVERSA PORTA DOOR RAIL

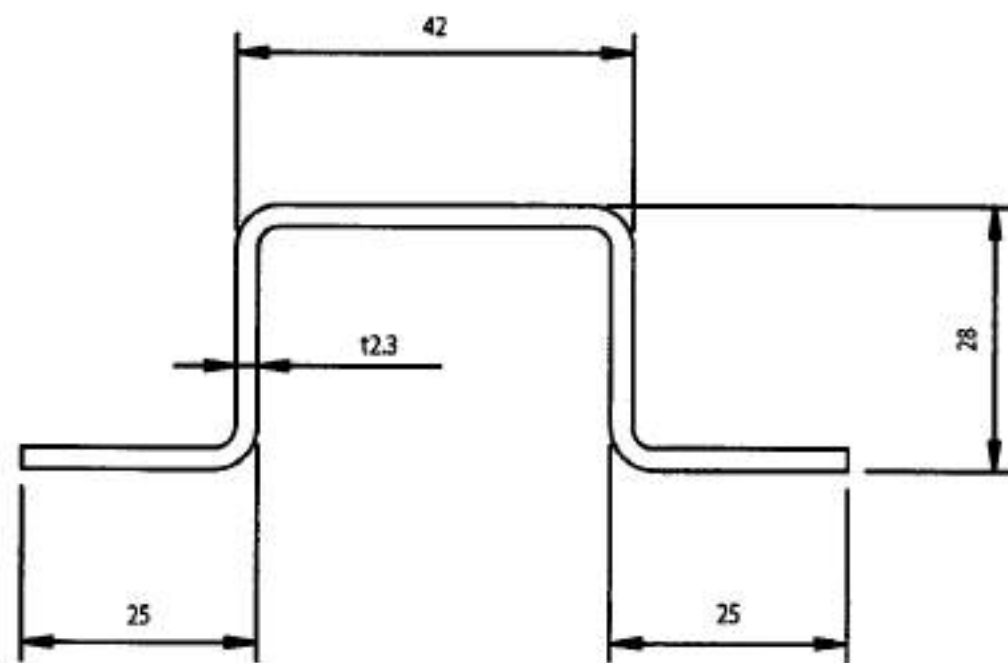
Model	Standard
Spec	T=4.0x50x150x50x943
Material	Steel
Code	TL014-01



01

RICAMBI CONTAINER
SPARE PARTS

Accessori in ferro
Steel Parts



OMEGA FLOOR SPACE

Spec T=2.3 L=3000

Material Steel

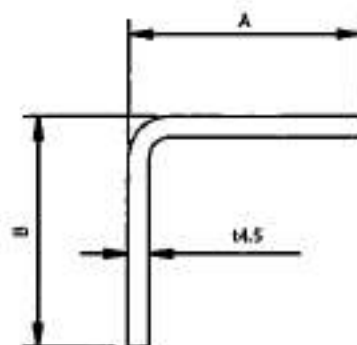
Code TL015-01



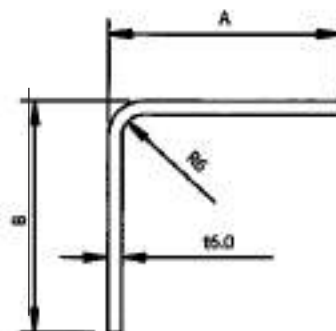
01

RICAMBI CONTAINER
SPARE PARTS

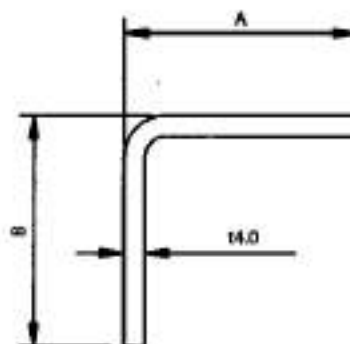
Accessori in ferro
Steel Parts



A	B	PART NO.	A	B	PART NO.
50	30	D16 - 01A	115	45	D16 - 01K
60	50	D16 - 01B	115	50	D16 - 01L
80	60	D16 - 01C	120	30	D16 - 01M
100	30	D16 - 01D	120	40	D16 - 01N
100	40	D16 - 01E	120	45	D16 - 01O
100	45	D16 - 01F	120	50	D16 - 01P
100	50	D16 - 01G	120	60	D16 - 01Q
100	60	D16 - 01H	120	80	D16 - 01R
110	45	D16 - 01I	140	40	D16 - 01S
110	50	D16 - 01J	160	60	D16 - 01T



A	B	PART NO.
130	120	D16 - 02A
100	100	D16 - 02B
135	150	D16 - 02C
50	30	D16 - 02D
60	30	D16 - 02E
55	35	D16 - 02F



A	B	PART NO.
50	30	D16 - 03A
50	50	D16 - 03B
50	60	D16 - 03C
100	30	D16 - 03D
110	45	D16 - 03E
110	60	D16 - 03F
115	45	D16 - 03G
120	30	D16 - 03H
140	40	D16 - 03I
150	60	D16 - 03J

ANGOLARE ANGLE

Spec L=2400

Material Steel

Code TL016



GRUPPO D'ANGOLO CORNER CASTING

Model	Standard
Spec	178X162X118
Material	SCW490MOD
Code	TL017

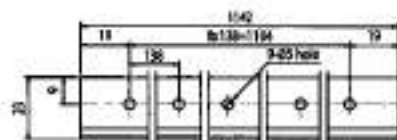


Accessori in ferro Steel Parts

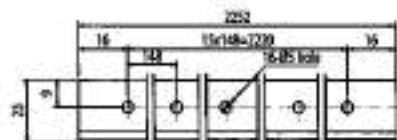


FERMA GUARNIZIONE PORTA GASKET RETAINER STRIP

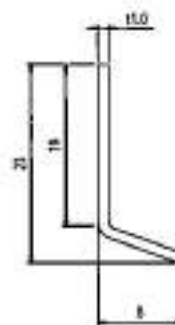
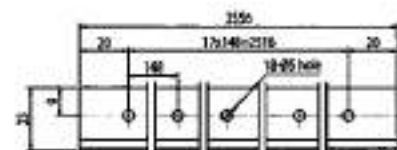
Spec	T=1.0X34XL
Material	SUS304
Code	TL018-01A/B/C



TL018-01A



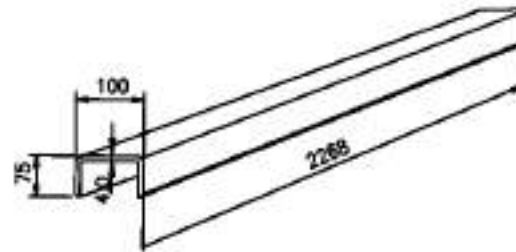
TL018-01B



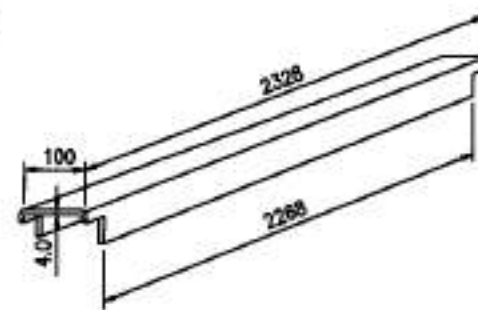
TL018-01C

1SET	
horizontal	4PCS
vertical	3PCS

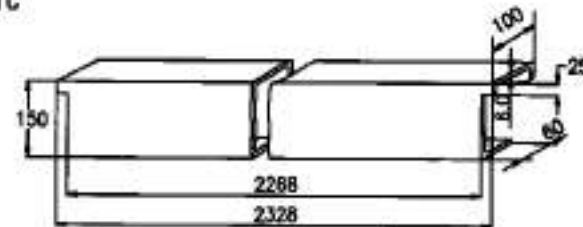
TL019-01A



TL019-01B



TL019-01C



LONGHERONE TUNNEL GOOSENECK CROSS RAIL

Material Steel

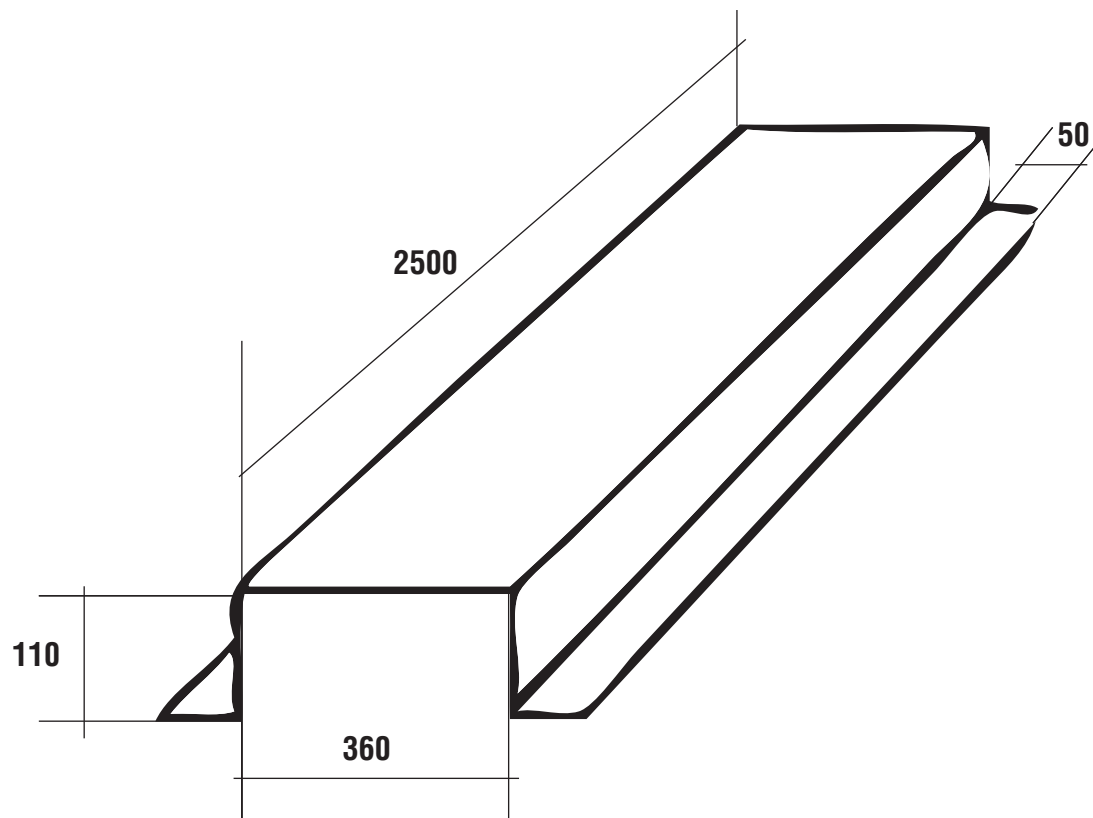
Code TL019



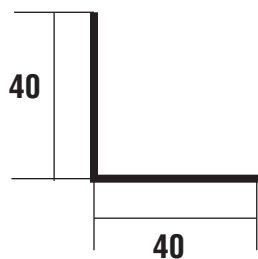
01

RICAMBI CONTAINER
SPARE PARTS

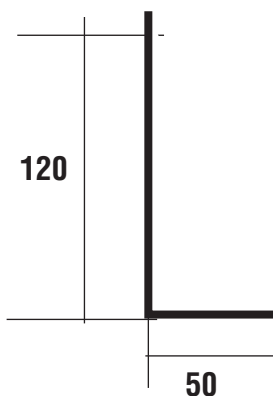
Accessori in ferro
Steel Parts



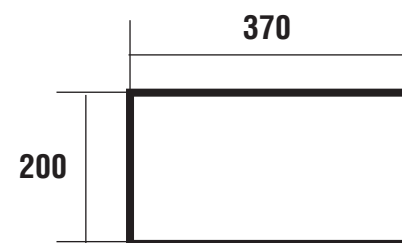
ANGOLARE
ANGLE



LATO TASCA
FORKLIFT POCKET SIDE



PIASTRA
STRAP

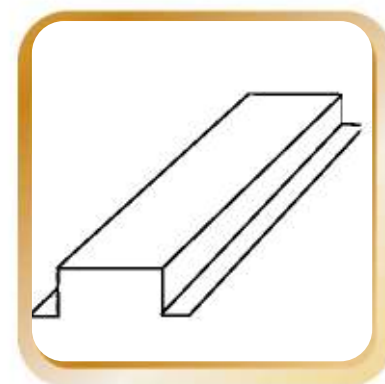


TASCA
FORKLIFT POCKET

Spec T=4mm

Material Steel

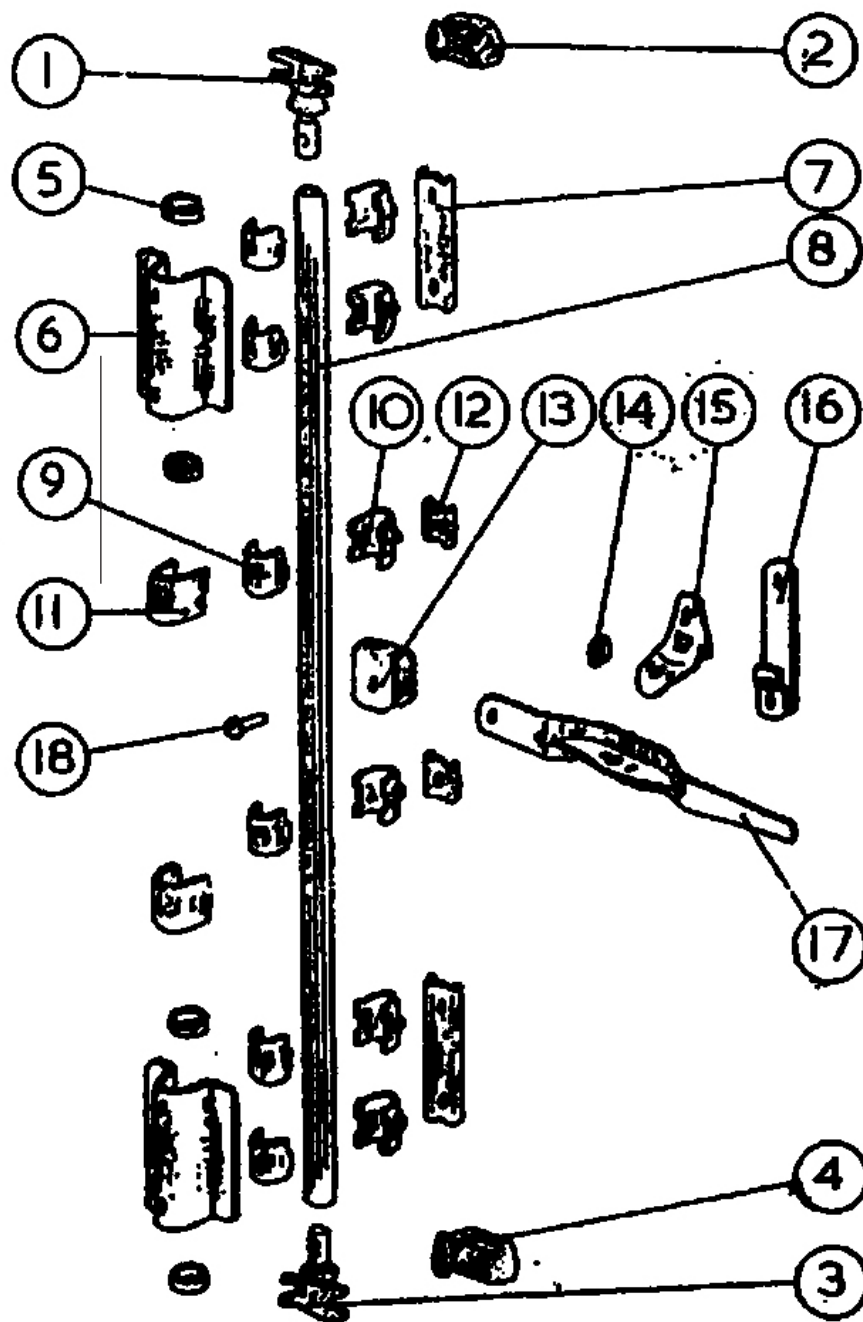
Code TL020



01

RICAMBI CONTAINER
SPARE PARTS

Accessori porta
Door Locking



ARPIONE SX/DX CAM LH/RH

Model	BE2566M
Code	FNGB 180 RH FNGB 181 LH



INGANCIO DX/SX KEEPER LH/RH

Model	BE2566M
Spec	For Corrugated Door
Code	FNGB 152 RH FNGB 153 LH

STAFFA ESTREMITÀ IMBULLONABILE BEARING BRACKET LARGE

Model	BE2566M
Code	FNGB 510





STAFFA INTERMEDIA IMBULLONABILE BEARING BRACKET SMALL

Model BE2566M

Code FNGB507

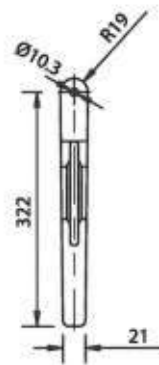
Accessori porta Door Locking

MANIGLIE PORTA DOOR HANDLES

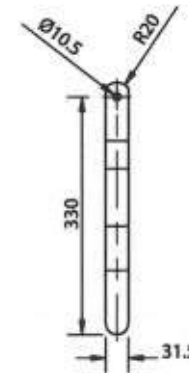
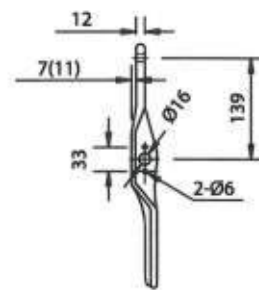
Spec T=2.3, L=3000

Material SS400

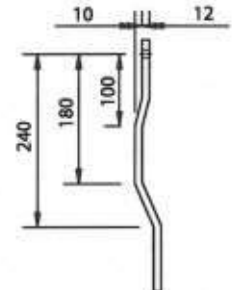
Code FNGB182 Maniglia forgiata. *Forging type*
FNGB321 Maniglia piatta. *Press type*



FNGB 182



FNGB 321

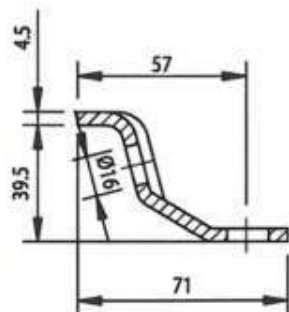


NOTTOLINO RETAINER CATCH

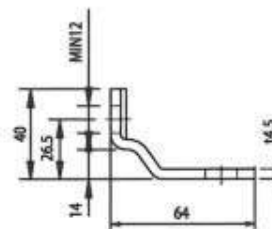
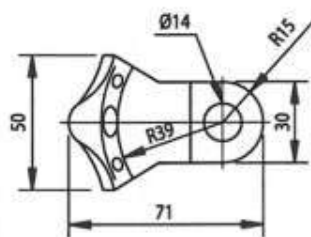
Model BE2566M

Code FNGB184 Per maniglia forgiata. *Forging Type*

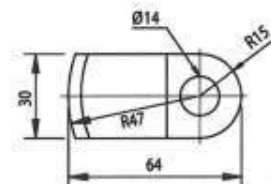
FNGB323 Per maniglia piatta. *Press Type*



FNGB 184



FNGB 323

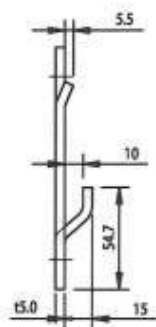


STAFFA ARRESTO MANIGLIA RETAINER PLATE

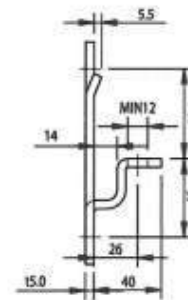
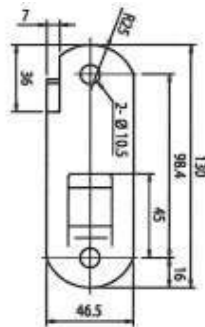
Model BE2566M

Code FNGB 183 Per maniglia forgiata. *Forging Type*

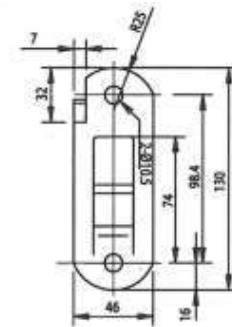
FNGB 322 Per maniglia piatta. *Press Type*



FNGB 183



FNGB 322





BOCCOLA BUSH

Material Corten

Code FNGB185

FORCELLA MANIGLIA HANDLE HUB

Model BE2566M

Code FNGB192



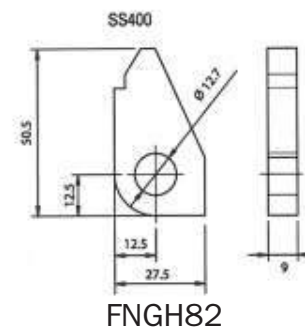
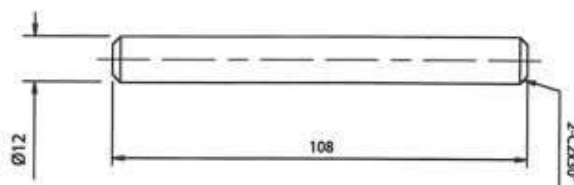
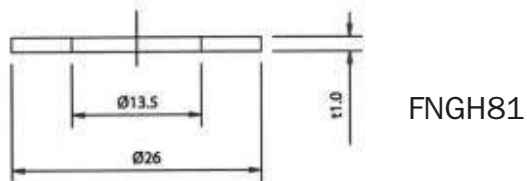
CERNIERA HINGE

Material SC25

Code FNGB79N

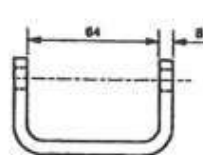
ACCESSORI CERNIERA HINGE ACCESSORY

Code	FNGH80 Perno <i>Pin</i>
	FNGH82 Piastrina <i>Plate</i>
	FNGH81 Rondella <i>Washer</i>



CARDINE HINGE LUG

Code	CARD-GM
	45.100.1/MB



CARD-GM

45.100.1/MB

PLASTICA PER STAFFA INTERMEDIA IMBULLONABILE SHORT SPLIT BUSH

Material ABS

Code FNGB509



PLASTICA PER STAFFA ESTREMITÀ IMBULLONABILE LARGE SPLIT BUSH

Material ABS

Code FNGB512

CHiodo-GHIERA RIVET-ANTI RACK RING

Material Steel

Code FNGB193 Chiodo. Rivet

FNGB513 Ghiera. Anti rack ring



01

RICAMBI CONTAINER
SPARE PARTS

Accessori flat rack
Flat Rack Parts

Flat container



PIEDE MONTANTE FLAT INNER HINGE

Material	STEEL
Code	FTRK-001



MONTANTE FLAT OUTER HINGE

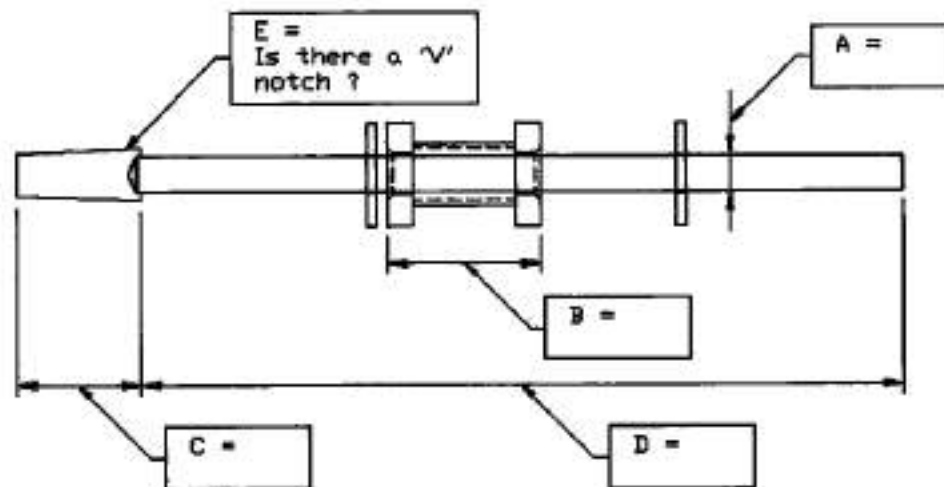
Material	STEEL
Code	FTRK-002

CUNEO FERMA SPONDA TAPER PIN

Material	STEEL
Code	FTRK-003



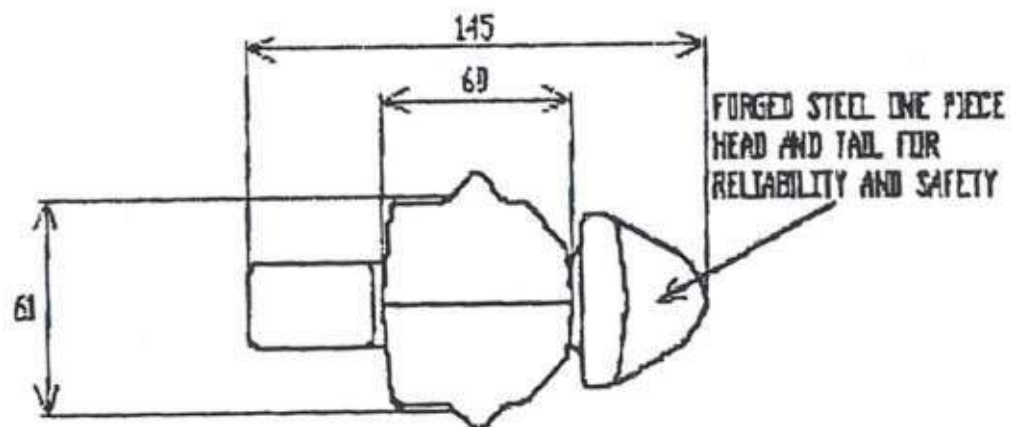
MARTELLINO DI CHIUSURA LOCKING HAMMER



Please fill in dimensions A, B, C, and D so that we can supply the right part. We also need to know if the Taper pin has a 'V' notch about its circumference (approx 0.5mm deep).

Code FTRK004

CHIUSURA TWIST TWISTLOCKS



Code FTRK005

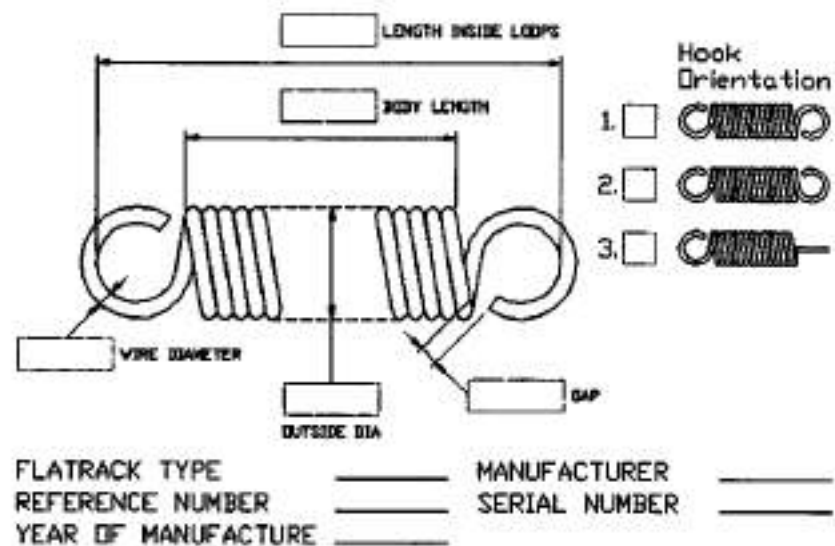
01

RICAMBI CONTAINER
SPARE PARTS

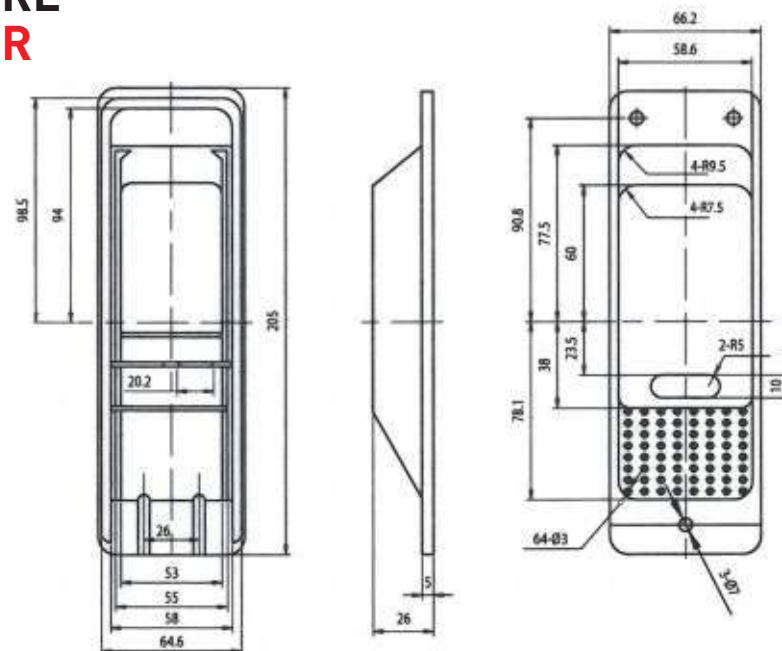
Accessori flat rack
Flat Rack Parts

Accessori vari
Miscellaneous

MOLLA SPRING



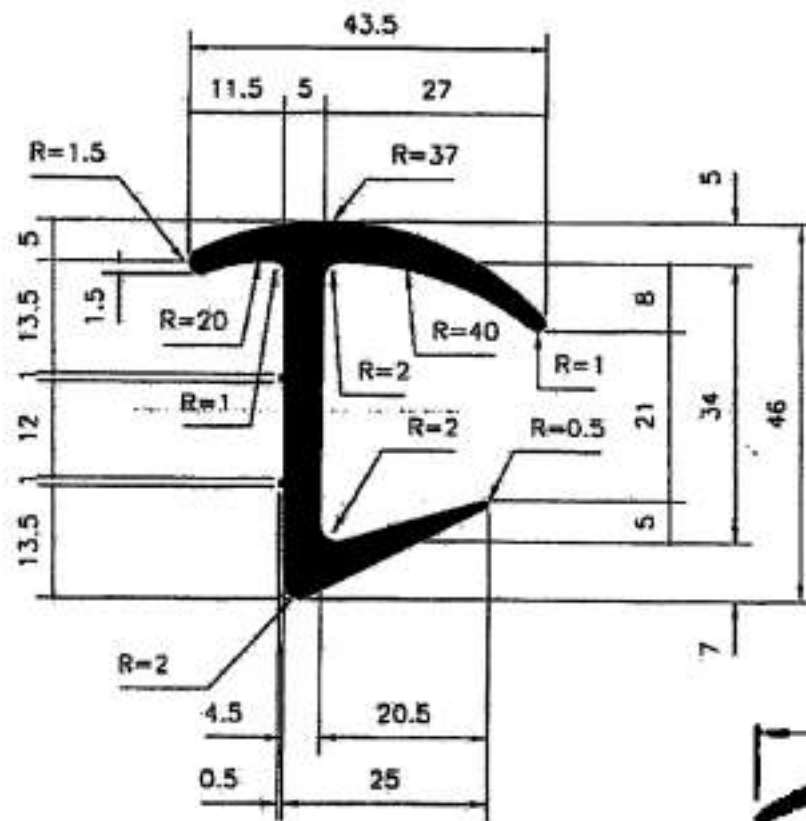
VENTILATORE VENTILATOR



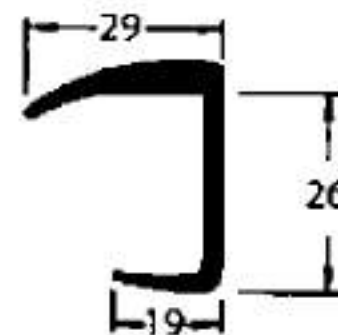
Model Small

Material ABS

Code MV303



103/C



2092

GUARNIZIONE PORTA DOOR GASKET

Code	Description
103/C	Guarnizione in gomma standard. Standard door gasket
2092	Guarnizione in gomma per container pallet wide. Door gasket C type for palletwide

01

RICAMBI CONTAINER
SPARE PARTS

Accessori vari
Miscellaneous

PANNELLI PAVIMENTO PLYWOOD FLOORING



Pannelli provenienti da nostra fabbrica fiduciaria cinese e vietnamita che visitiamo periodicamente al fine di garantire un alto livello di qualità del prodotto che forniamo alla nostra clientela.

Plywood flooring imported from our trusted Chinese, Vietnamese factories that we visit on a frequent basis in order to guarantee a high quality product for our customers.

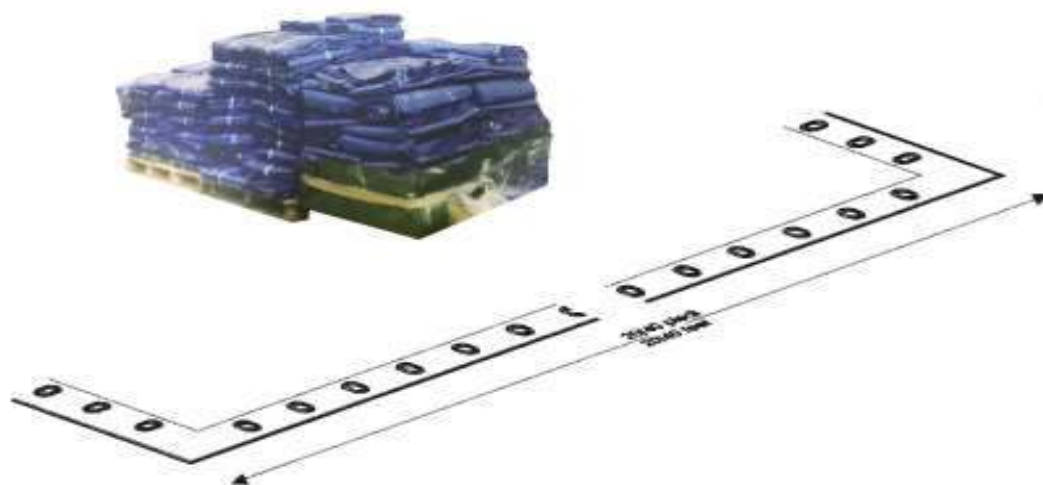
Code Description

T Pannello pavimento. *Wooden FloorinG 2400x1160x28*



2,8 cm / 19 layers





TELONI TARPAULINS

Code	Description	Container length
TCJ20	Cover Jolly. <i>One way Tarpaulin</i>	20'
TCJ40	Cover Jolly. <i>One way Tarpaulin</i>	40'
TPVC20	Telone PVC Tarpaulin, 630 gr/m ²	20'
TPVC40	Telone PVC Tarpaulin, 630 gr/m ²	40'
TPVCR20	Telone rinforzato PVC <i>Tarpaulin Reinforced</i>	20'
TPVCR40	Telone rinforzato PVC <i>Tarpaulin Reinforced</i>	40'
TPVCL20	Telone leggero PVC <i>Tarpaulin Light</i>	20'
TPVCL40	Telone leggero PVC <i>Tarpaulin Light</i>	40'



CAVI TIR T.I.R. ROPES

Code	Description	Measure
0110023	Ø 7mm 20'	21 m
0110024	Ø 7mm 40'	32 m

01

RICAMBI CONTAINER
SPARE PARTS

Accessori vari
Miscellaneous

CENTINE ROOF BOWS

Code	Description	Length
CMORTEO	Morteo Ø 1"	2270mm
CSICOM	SICOM Ø 1"	2320 mm
CCOBRA	COBRA Ø 1"	2270 mm
CCEN01	Centina con asola saldata <i>Roof bow with Welded retainer</i>	2255 mm
CCEN02	Centina con asola saldata <i>Roof bow with Welded retainer</i>	2215 mm
CCEN03	Centina con piastrina saldata <i>Roof bow with Welded plate</i>	2290 mm
CCEN04	Centina asolata. <i>Roof bow eyeled</i>	



01

RICAMBI CONTAINER
SPARE PARTS



M.G.W.
TARE
NET
CU. CAP.

{ kg.	30480
{ lb.	67200
{ kg.	3732
{ lb.	8230
{ kg.	26748
{ lb.	58970
{ cbm	66.8
{ cft	2359

8

2,6
8 ¹/₂

7

ADESIVI DECALS

Material VINYL

Accessori vari
Miscellaneous

CSC SAFETY APPROVAL			
DATE MANUFACTURED	[]		REINSPECTION SHALL BE BEFORE /
IDENTIFICATION NO.	[]		
MAXIMUM GROSS WEIGHT	[KG.]	[LBS.]	
ALLOW. STACK. WT. 1.0G	[KG.]	[LBS.]	
RACKING TEST LOAD VALUE	[KG.]	[LBS.]	

TARGA CSC CSC PLATE

Model 3 LIPS

Spec Length 100X200 mm

Material STEEL

01

RICAMBI CONTAINER
SPARE PARTS

Accessori vari
Miscellaneous

VERNICI PAINTS

Code	Description	Measure
------	-------------	---------



SILICONE SEALANT

Code	Description
1007021	Trasparente. <i>Transparent</i>
1007028	Nero. <i>Black Colour</i>

01

RICAMBI CONTAINER
SPARE PARTS

Accessori vari
Miscellaneous

FLEXYTANK



ISOKIT



Model "S" Type

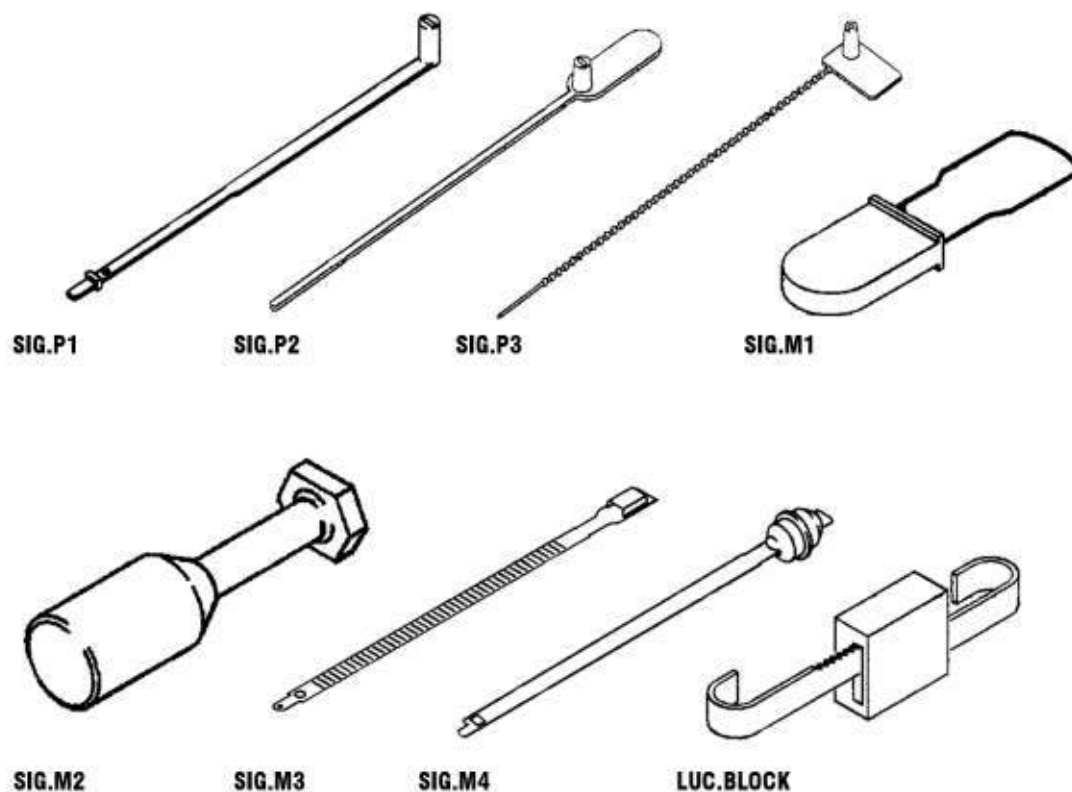
Material ABS

Code D25-01-MV303

MINUTERIA MISCELLANEOUS



Code	Description
AFS63X60	Vite autofilettante 6,3x60 DIN 7892 zincata. <i>Self-threaded screw 6.3x60 DIN 7892, Zinc Pltd</i>
AFS63X70	Vite autoforante 6,3x70 DIN 7892 con aletta zincata <i>Self drilling screw.</i>
D1233XX	Inseritore per viti PH3 U.S.A. <i>PH3 U.S.A. bit.</i>
RNA4,8X25	Rivetto alluminio 4,8x25 k16/AC testa larga mm 16. <i>Alu rivet 4.8x25 k16/AC Large head.</i>
RNA4,8X26	Rivetto alluminio 4,8x26 TTP/AC testa piccola mm 9,5. <i>Alu rivet 4,8x26 TTP/AC Small head</i>
OPS5.75V	Punte standard OPS \varnothing 5,75 (10 pz). <i>Standard drilling bit dia. 5,75 m (10 pcs)</i>
5588	Dado esagonale M10 UNI5588. <i>Nut M10 UNI 5588</i>
TE5739	Vite T.E. M10X30 UNI5739. <i>Screw M10 UNI5739</i>
AN.U	Cambre Oval a "U" per passaggio cavo T.I.R. <i>Rail eyeled for T.I.R. ropes.</i>



SIGILLI CONTAINER CONTAINER SEALS

Code	Description
SIG.P1	Sigillo a fascetta in termoplastico con inserto di sicurezza in nylon saldato con numerazione progressiva. Personalizzabile. <i>Container seals.</i>
SIG.P2	Sigillo a fascetta in termoplastico con numerazione progressiva. Personalizzabile. <i>Container seals.</i>
SIG.P3	Sigillo in nylon con inserto di sicurezza saldato provvisto di cinque dentini di sicurezza con numerazione progressiva. Personalizzabile. <i>Container seals.</i>
SIG.M1	Sigillo a lucchetto con corpo in termoplastico e chiusura con tondino metallico con numerazione progressiva. Personalizzabile. <i>Container seals.</i>
SIG.M2	Sigillo a chiodo con corpo in lega rivestito in PVC. <i>Container seals.</i>

01

RICAMBI CONTAINER
SPARE PARTS

Accessori vari
Miscellaneous

ABBIGLIAMENTO ANTINFORTUNISTICA SAFETY CLOTHING



||| 102

CONTAINER MARITTIMO
SHIPPING CONTAINER



FLAT RACK | FLAT RACK

Ideale per trasporti di merce non convenzionale come ad esempio macchinari e tubi

Suitable for heavy loads and cargo that needs loading from the top or sides, such as pipes and machinery

TYPE	EXT	INT	DOOR OPENING	INSIDE CUBIC CAPACITY	MGW	TARE	PAYLOAD
20'	LENGTH 6,058	LENGTH 5,638	WIDTH -	CU.M 30,5	KG 34,000	KG 2,890	KG 31,110
	WIDTH 2,438	WIDTH 2,228	HEIGHT -	CU.FT 1077	LBS 74,960	LBS 6,370	LBS 68,590
	HEIGHT 2,591	HEIGHT 2,233					
40'	LENGTH 12,172	LENGTH 11,776	WIDTH -	CU.M 55,5	KG 45,000	KG 4,600	KG 40,400
	WIDTH 2,438	WIDTH 2,230	HEIGHT -	CU.FT 1960	LBS 99,200	LBS 10,140	LBS 89,060
	HEIGHT 2,591	HEIGHT 1,955					

02
CONTAINER MARITTIMO
SHIPPING CONTAINER



CONTAINER BOX | DRY CARGO CONTAINER

Container box ISO Standard per trasporto marittimo e terrestre

Standard Dry Container meeting the ISO standard is used for sea and inland transportation

TYPE	EXT	INT	DOOR OPENING	INSIDE CUBIC CAPACITY	MGW	TARE	PAYLOAD
20'	LENGTH 6,058	LENGTH 5,898	WIDTH 2,340	CU.M 33,2	KG 30,480	KG 2,270	KG 28,210
	WIDTH 2,438	WIDTH 2,352	HEIGHT 2,280	CU.FT 1,170	LBS 67,200	LBS 5,010	LBS 62,200
	HEIGHT 2,591	HEIGHT 2,393					
40'	LENGTH 12,192	LENGTH 12,032	WIDTH 2,340	CU.M 67,7	KG 30,480	KG 3,720	KG 26,760
	WIDTH 2,438	WIDTH 2,352	HEIGHT 2,280	CU.FT 2,390	LBS 67,200	LBS 8,200	LBS 59,00
	HEIGHT 2,591	HEIGHT 2,393					
40'HC	LENGTH 12,192	LENGTH 12,032	WIDTH 2,338	CU.M 76,4	KG 30,480	KG 3,900	KG 26,580
	WIDTH 2,438	WIDTH 2,350	HEIGHT 2,585	CU.FT 2,694	LBS 67,200	LBS 8,600	LBS 58,600
	HEIGHT 2,896	HEIGHT 2,695					

02
CONTAINER MARITTIMO
SHIPPING CONTAINER



CONTAINER OPEN TOP | OPEN TOP CONTAINER

Per il carico e scarico dall'alto di merce fuori sagoma
For easy loading and unloading of extra size cargo from the top

TYPE	EXT	INT	DOOR OPENING	INSIDE CUBIC CAPACITY	MGW	TARE	PAYLOAD
20'	LENGTH 6,058	LENGTH 5,910	WIDTH 2,340	CU.M 28,8	KG 30,480	KG 2,400	KG 28,080
	WIDTH 2,438	WIDTH 2,352	HEIGHT 2,276	CU.FT 1,017	LBS 67,200	LBS 5,290	LBS 61,910
	HEIGHT 2,591	HEIGHT 2,363					
20'HC	LENGTH 6,058	LENGTH 5,898	WIDTH 2,343	CU.M 37	KG 30,480	KG 2,515	KG 27,965
	WIDTH 2,438	WIDTH 2,352	HEIGHT 2,582	CU.FT 1,307	LBS 67,200	LBS 5,540	LBS 61,66
	HEIGHT 2,896	HEIGHT 2,673					
40'	LENGTH 12,192	LENGTH 12,031	WIDTH 2,336	CU.M 66,7	KG 32,500	KG 3,950	KG 28,550
	WIDTH 2,438	WIDTH 2,346	HEIGHT 2,280	CU.FT 2,356	LBS 71,650	LBS 8,710	LBS 62,940
	HEIGHT 2,591	HEIGHT 2,364					

02
CONTAINER MARITTIMO
SHIPPING CONTAINER



MINI CONTAINER | MINI CONTAINER

Ideale per chi ha spazi limitati
Ideal for limited spaces

TYPE	EXT	INT	DOOR OPENING	INSIDE CUBIC CAPACITY	MGW	TARE	PAYLOAD
6'	LENGTH 1,829	LENGTH 1,759	WIDTH 1,737	CU.M 9,5	KG 3,600	KG 1,100	KG 2,500
	WIDTH 2,438	WIDTH 2,297	HEIGHT 2,230	CU.FT 335,4	LBS 7,92	LBS 2,420	LBS 5,500
	HEIGHT 2,591	HEIGHT 2,358					
8'	LENGTH 2,438	LENGTH 2,350	WIDTH 2,328	CU.M 12	KG 5,000	KG 1,370	KG 3,630
	WIDTH 2,438	WIDTH 2,288	HEIGHT 2,105	CU.FT 423,6	LBS 11,000	LBS 3,014	LBS 7,986
	HEIGHT 2,438	HEIGHT 2,229					
10'	LENGTH 2,991	LENGTH 2,840	WIDTH 2,342	CU.M 15,95	KG 12,000	KG 1,320	KG 10,680
	WIDTH 2,438	WIDTH 2,352	HEIGHT 2,280	CU.FT 563,3	LBS 26,460	LBS 2,870	LBS 23,590
	HEIGHT 2,591	HEIGHT 2,393					

02
CONTAINER MARITTIMO
SHIPPING CONTAINER



CONTAINER OPEN SIDE | FULL OPEN SIDE CONTAINER

Container con porte di accesso laterali che consente la completa apertura della parete destra
Full-side access container

TYPE	EXT	INT	DOOR OPENING	INSIDE CUBIC CAPACITY	MGW	TARE	PAYLOAD
20'	LENGTH 6,058	LENGTH 5,892	WIDTH 5,902	CU.M 32,20	KG 20,320	KG 2,500	KG 17,820
	WIDTH 2,438	WIDTH 2,289	HEIGHT 2,240	CU.FT 1138	LBS 44,800	LBS 5,510	LBS 39,290
	HEIGHT 2,591	HEIGHT 2,390					

02

CONTAINER MARITTIMO
SHIPPING CONTAINER



CONTAINER BULK | BULK CONTAINER

Progettato per il trasporto di merce alla rinfusa come ad esempio grano o spezie
Specifically designed for bulk cargo, such as spice or grain.

TYPE	EXT	INT	DOOR OPENING	INSIDE CUBIC CAPACITY	MGW	TARE	PAYLOAD
20'HC	LENGTH 6,058	LENGTH 5,950	WIDTH 2,148	CU.M 37,1	KG 30,480	KG 2,850	KG 27,630
	WIDTH 2,438	WIDTH 2,352	HEIGHT 700	CU.FT 1310	LBS 67,200	LBS 6,285	LBS 60,915
	HEIGHT 2,896	HEIGHT 2,694					

02
CONTAINER MARITTIMO
SHIPPING CONTAINER



CONTAINER MEZZA ALTEZZA | HALF HEIGHT BULK CONTAINER

Alto esattamente metà rispetto al classico container ISO marittimo. Utilizzato principalmente per carico di minerali
Half height Bulk engineered to carry raw materials such as ore.

TYPE	EXT	INT	DOOR OPENING	INSIDE CUBIC CAPACITY	MGW	TARE	PAYLOAD
20'HH	LENGTH 6,058	LENGTH 5,929	WIDTH 2,114	CU.M 25,1	KG 30,480	KG 2,990	KG 27,490
	WIDTH 2,800	WIDTH 2,662	HEIGHT 1,000	CU.FT 886	LBS 67,200	LBS 6,578	LBS 60,622
	HEIGHT 1,785	HEIGHT 1,594					

02
CONTAINER MARITTIMO
SHIPPING CONTAINER



40' OPEN TOP TRASFORMATO | 40' CONVERTED OPEN TOP

Trattasi di container 40' box trasformato in open top in conformità alle specifiche del R.I.N.A.

This modified open top container is delivered with a valid CSC plate and R.I.N.A. (Registro Italiano Navale) certificate.

TYPE	EXT	INT	DOOR OPENING	INSIDE CUBIC CAPACITY	MGW		TARE		PAYLOAD	
					KG	LBS	KG	LBS	KG	LBS
40'	/	/	/	/	KG	30,000	KG	3,800	KG	26,000
					LBS	67,200	LBS	8,378	LBS	57,320
40'	/	/	/	/	KG	24,000	KG	3,800	KG	20,200
					LBS	52,911	LBS	8,378	LBS	44,533

02
CONTAINER MARITTIMO
SHIPPING CONTAINER



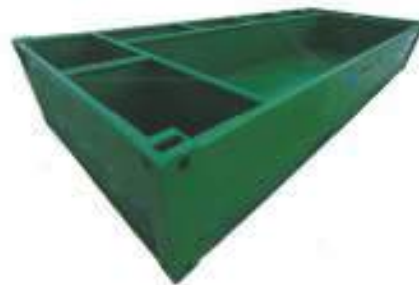
40' OPEN TOP HC TRASFORMATO | 40' CONVERTED OPEN TOP HC

Trattasi di container 40' high cube trasformato in open top in conformità alle specifiche del R.I.N.A.

This modified open top container is delivered with a valid CSC plate and R.I.N.A. (Registro Italiano Navale) certificate.

TYPE	EXT	INT	DOOR OPENING	INSIDE CUBIC CAPACITY	MGW		TARE		PAYLOAD	
					KG	LBS	KG	LBS	KG	LBS
40' HC	/	/	/	/	KG	24,000	KG	3,900	KG	20,100
					LBS	52,911	LBS	8,598	LBS	44,313

02
CONTAINER MARITTIMO
SHIPPING CONTAINER



CONTAINER RIFIUTI MEZZA ALTEZZA | HALF HEIGHT BIN CONTAINER

Ideale per stoccaggio di rifiuti di varia natura
Suitable for storage of several kinds of waste.

TYPE	EXT	INT	DOOR OPENING	INSIDE CUBIC CAPACITY	MGW	TARE	PAYLOAD
20'HHC	LENGTH 6,058	LENGTH 5,972	WIDTH -	CU.M 11	KG 30,480	KG 2,580	KG 27,900
	WIDTH 2,438	WIDTH 2,352	HEIGHT -	CU.FT 388,3	LBS 67,056	LBS 5,676	LBS 61,380
	HEIGHT 991	HEIGHT 782					
20'HHN	LENGTH 6,058	LENGTH 5,900	WIDTH -	CU.M 14,8	KG 30,560	KG 2,410	KG 36,150
	WIDTH 2,438	WIDTH 2,318	HEIGHT -	CU.FT 522,4	LBS 84,832	LBS 5,302	LBS 79,530
	HEIGHT 1,285	HEIGHT 1,085					
20'HHD	LENGTH 6,058	LENGTH 5,900	WIDTH 2,118	CU.M 14,8	KG 38,560	KG 2,510	KG 36,050
	WIDTH 2,438	WIDTH 2,318	HEIGHT 1,085	CU.FT 522,4	LBS 84,832	LBS 5,522	LBS 79,310
	HEIGHT 1,295	HEIGHT 1,085					

02
CONTAINER MARITTIMO
SHIPPING CONTAINER

||| 103

CONTAINER SPECIALE
SPECIALIZED CONTAINER



CONTAINER PER GRUPPI ELETTOGENI | GENERATOR CONTAINER

Utilizzati per il contenimento e l'insonorizzazione di gruppi elettrogeni o altre macchine industriali
Specifically designed for storage of generators or other industrial machines

TYPE	EXT	INT	DOOR OPENING	INSIDE CUBIC CAPACITY	MGW	TARE	PAYLOAD
20'	LENGTH 6,058	LENGTH 5,899	WIDTH 2,340	CU.M 33,2	KG 67,200	KG 5,010	KG 62,190
	WIDTH 2,438	WIDTH 2,352	HEIGHT 2,280	CU.FT 1172	LBS 147,840	LBS 11,022	LBS 136,818
	HEIGHT 2,591	HEIGHT 2,393					

03

CONTAINER SPECIALE
SPECIALIZED CONTAINER



03

**CONTAINER SPECIALE
SPECIALIZED CONTAINER**

CONTAINER PER COMPRESSORI | AIR COMPRESSOR CONTAINER

Costruiti per una moltitudine di applicazioni con compressore
This unit was designed to protect and transport air compressors

TYPE	EXT	INT	DOOR OPENING	INSIDE CUBIC CAPACITY	MGW	TARE	PAYLOAD
40'	LENGTH 12,192	LENGTH 12,042	WIDTH 2,344	CU.M 63,9	KG 30,480	KG 3,980	KG 26,500
	WIDTH 2,438	WIDTH 2,226	HEIGHT 2,280	CU.FT 2255,7	LBS 67,056	LBS 8,756	LBS 58,300
	HEIGHT 2,591	HEIGHT 2,387					



03

CONTAINER SPECIALE
SPECIALIZED CONTAINER

CONTAINER A PARETE SCORREVOLE | SLIDING OPEN CONTAINER

Container con porte di accesso laterali scorrevoli
Full-side sliding door access container

TYPE	EXT	INT	DOOR OPENING	INSIDE CUBIC CAPACITY	MGW	TARE	PAYLOAD
40' HC	LENGTH 12,192	LENGTH 12,084	WIDTH 11,840	CU.M 71,2	KG 30,480	KG 5,100	KG 25,380
	WIDTH 2,591	WIDTH 2,407	HEIGHT 2,776	CU.FT 2513,4	LBS 67,056	LBS 11,220	LBS 55,836
	HEIGHT 2,896	HEIGHT 2,449					



03

**CONTAINER SPECIALE
SPECIALIZED CONTAINER**

CONTAINER FRIGORIFERO | REFRIGERATED CONTAINER

Ideale per trasporto o stoccaggio di merci deperibili quali verdura, frutta, carni ecc.
Suitable for transport or storage of perishable cargo such as vegetables, fruit, meat etc.

TYPE	EXT	INT	DOOR OPENING	INSIDE CUBIC CAPACITY	MGW	TARE	PAYLOAD
20'	LENGTH 6,058	LENGTH 5,456	WIDTH 2,294	CU.M 28,3	KG 30,480	KG 3,000	KG 27,480
	WIDTH 2,438	WIDTH 2,286	HEIGHT 2,264	CU.FT 999	LBS 67,200	LBS 6,880	LBS 60,320
	HEIGHT 2,591	HEIGHT 2,271					
40' HC	LENGTH 12,192	LENGTH 11,580	WIDTH 2,290	CU.M 67,5	KG 34,000	KG 4,420	KG 29,580
	WIDTH 2,438	WIDTH 2,290	HEIGHT 2,557	CU.FT 2,384	LBS 74,950	LBS 9,750	LBS 65,200
	HEIGHT 2,896	HEIGHT 2,545					



CONTAINER OFFSHORE | OFFSHORE CONTAINER

Adatto per piattaforme petrolifere
Specifically designed for oil and offshore platforms

TYPE	LENGTH	WIDTH	HEIGHT	TARE WEIGHT (KG)	PAYLOAD (KG)	GROSS WEIGHT (KG)	
10' x 8' x 8'6"	2,991	2,438	2,591	2,200	7,800	10,000	
12' x 8' x 8'10"	3,658	2,438	2,692	3,400	8,600	12,000	
20' x 8' x 8'6"	6,058	2,438	2,591	4,050	15,950	20,000	

03

CONTAINER SPECIALE
SPECIALIZED CONTAINER



CONTAINER DOPPIA PORTA | DOUBLE DOOR CONTAINER

Container con aperture su entrambi i lati corti
 Container with doors at both ends

TYPE	EXT	INT	DOOR OPENING	INSIDE CUBIC CAPACITY	MGW	TARE	PAYLOAD
40'	LENGTH 12,192	LENGTH 11,978	WIDTH 2,340	CU.M 67,7	KG 30,480	KG 3,680	KG 26,800
	WIDTH 2,438	WIDTH 2,352	HEIGHT 2,280	CU.FT 2356	LBS 67,200	LBS 8,113	LBS 59,083
	HEIGHT 2,591	HEIGHT 2,393					
40'HC	LENGTH 12,192	LENGTH 11,978	WIDTH 2,340	CU.M 76,4	KG 30,480	KG 3,800	KG 26,680
	WIDTH 2,438	WIDTH 2,352	HEIGHT 2,585	CU.FT 2,694	LBS 67,200	LBS 8,377	LBS 58,819
	HEIGHT 2,896	HEIGHT 2,698					

03

CONTAINER SPECIALE
 SPECIALIZED CONTAINER

11104

**CONTAINER ABITATIVI
MODULAR HOUSE**



04

CONTAINER ABITATIVI MODULAR HOUSE

CONTAINER ABITATIVO | HOUSE CONTAINER

Soluzioni abitative su misura
Container house with several customizable options

TYPE	EXT	INT	DOOR OPENING	INSIDE CUBIC CAPACITY	MGW	TARE	PAYLOAD
10'	LENGTH 2,991	LENGTH 2,803	WIDTH 835	CU.M 14	KG -	KG 1,140	KG -
	WIDTH 2,438	WIDTH 2,252	HEIGHT 1950	CU.FT 494.2	LBS -	LBS 2,508	LBS -
	HEIGHT 2,591	HEIGHT 2,240					
20'	LENGTH 6,058	LENGTH 5,870	WIDTH 835	CU.M 29	KG -	KG 1,850	KG -
	WIDTH 2,438	WIDTH 2,252	HEIGHT 1950	CU.FT 1023,7	LBS -	LBS 4,070	LBS -
	HEIGHT 2,591	HEIGHT 2,240					
40'	LENGTH 12,192	LENGTH 12,038	WIDTH 835	CU.M 61	KG -	KG 3,200	KG -
	WIDTH 2,438	WIDTH 2,232	HEIGHT 1,950	CU.FT 2153.3	LBS -	LBS 7,040	LBS -
	HEIGHT 2,591	HEIGHT 2,300					



CONTAINER AD USO SANITARIO | CONTAINER TOILET

Servizi igienici per manifestazioni o cantieri

Ideal solution for temporary toilets during events or in building sites

TYPE	EXT	INT	DOOR OPENING	INSIDE CUBIC CAPACITY	MGW	TARE	PAYLOAD
10'	LENGTH 2,991	LENGTH 2,803	WIDTH 835	CU.M 14	KG -	KG 1,140	KG -
	WIDTH 2,438	WIDTH 2,252	HEIGHT 1950	CU.FT 494.2	LBS -	LBS 2,508	LBS -
	HEIGHT 2,591	HEIGHT 2,240					
20'	LENGTH 6,058	LENGTH 5,870	WIDTH 835	CU.M 29	KG -	KG 1,850	KG -
	WIDTH 2,438	WIDTH 2,252	HEIGHT 1950	CU.FT 1023,7	LBS -	LBS 4,070	LBS -
	HEIGHT 2,591	HEIGHT 2,240					
40'	LENGTH 12,192	LENGTH 12,038	WIDTH 835	CU.M 61	KG -	KG 3,200	KG -
	WIDTH 2,438	WIDTH 2,232	HEIGHT 1,950	CU.FT 2153.3	LBS -	LBS 7,040	LBS -
	HEIGHT 2,591	HEIGHT 2,300					

04

CONTAINER ABITATIVI
MODULAR HOUSE



CONTAINER BAR | CONTAINER CAFE

Strutture abitative per la ristorazione
Specifically designed for catering industry

04

CONTAINER ABITATIVI
MODULAR HOUSE